

XYZ TC 400

SIEMENS
Touchscreen

SPINDLE 43 HP / 32 kW
300mm CHUCK (380mm optional*)
91 mm SPINDLE BORE
78 mm BAR CAPACITY
3,300 RPM

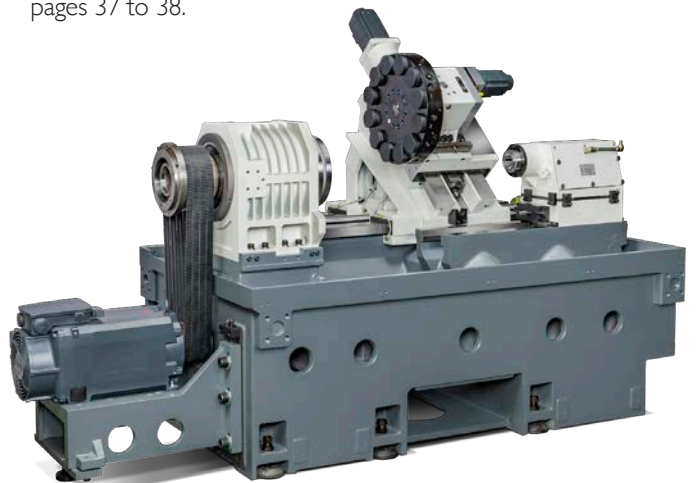


The **XYZ TC 400** is the largest capacity turning centre in the XYZ range.

This large capacity workhorse of a turning centre comes complete with standard equipment that includes hydraulic chuck, 12 station turret, Renishaw tool setting, swarf conveyor and tailstock. Many of these options are costly extras with competitors machine tools. The latest Siemens 828D ShopTurn conversational control makes it ideal for both experienced and novice CNC users.

For a subcontractor that doesn't know what job is coming in next week this 2 axis machine and the CNC milling machine or a VMC is often a more versatile and cost effective combination than buying a Turning Centre with Y axis or live tooling turret.

For bigger turning capacity see our extra large CNC lathes on pages 37 to 38.



For the full build specification of the XYZ Turning Centres see pages 19 and 20 of the **XYZ Turning Catalogue**.

XYZ TC 400

SPINDLE 43 HP / 32 kW
300mm CHUCK (380mm optional*)
91 mm SPINDLE BORE
78 mm BAR CAPACITY
3,300 RPM

Standard Equipment

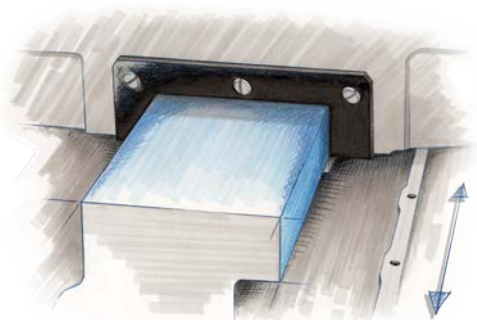
Siemens 828D ShopTurn Touchscreen Control.
PLC written by Siemens UK.
Hydraulic 300mm 3 Jaw Chuck (380mm optional).
Sauter 'German' VDI Turret.
Automatic Tool Setting Arm.
Swarf Conveyor & Bin.
Hydraulic Tailstock.
Through Tool Flood Coolant.
Remote Electronic Handwheel.
USB Port.
Networking.

Optional Equipment

Collet Chuck.
Bar Puller.
Barfeed Units.
Offline Programming.
Contour Handwheel (*wind the handwheel to run through the program*).
Advanced Swarf Management System.

With Hard Box Way slides

The **XYZ TC 400** features the latest in high quality Hard Box Way slide technology.



	XYZ TC 400
Power chuck diameter	300 mm (380mm optional)*
Maximum swing	600 mm
Swing over carriage cover	410 mm
Maximum turned diameter	400 mm (15.75")
Maximum turned length	600 mm
X axis travel	275 mm
Z axis travel	650 mm
Spindle centre height from floor	1,020 mm
Spindle nose	A2-8
Spindle bore	91 mm
Bar capacity	78 mm
Spindle front bearing internal dia	130 mm
Max spindle speed	3,300 rpm
Spindle motor	43 HP / 32 kW
Min spindle speed for full power	1,500 rpm
X & Z axis rapid traverse rate	10 & 20 m/min
X axis slideway configuration	Hardened box ways
Z axis slideway configuration	Hardened box ways
Ballscrew diameter (X, Z)	40 / 45 mm
Servo motors	16Nm
Turret diameter	450 mm
Tool type	VDI 40
Number of tool stations	12
Turning tool shank dimensions	25 x 25 mm
Max. boring bar diameter	40 mm
Tailstock quill taper	MT5
Quill diameter and travel	95 x 125 mm
Max. quill thrust	2,300 kg
Coolant tank capacity	115 litre
Coolant pump delivery	16 l/min @ 2.5 Bar
Machine weight	5,700 kg
Footprint W x D x H approx with conveyor	3,700 x 2,000 x 2,000 mm

* **Renishaw Toolsetting arm has to be removed.**

Conforming to ISO 13041	
Positional accuracy	+/- 5 microns
Repeatability	+/- 2 microns
Cutting accuracy over 100mm	10 microns
Geometric accuracy over 100mm	10 microns



Part of the **XYZ Turning Catalogue** which includes:
ProtoTRAK® Lathes.
Turning Centres.
XL Extra Large Lathes.
Oil Country Lathes.
Mobile Robotic Automation.
Manual Mills & Lathes.
Grinders.
Tooling & Accessories.



Visit www.xyzmachinetools.com or the YouTube channel to see the video.