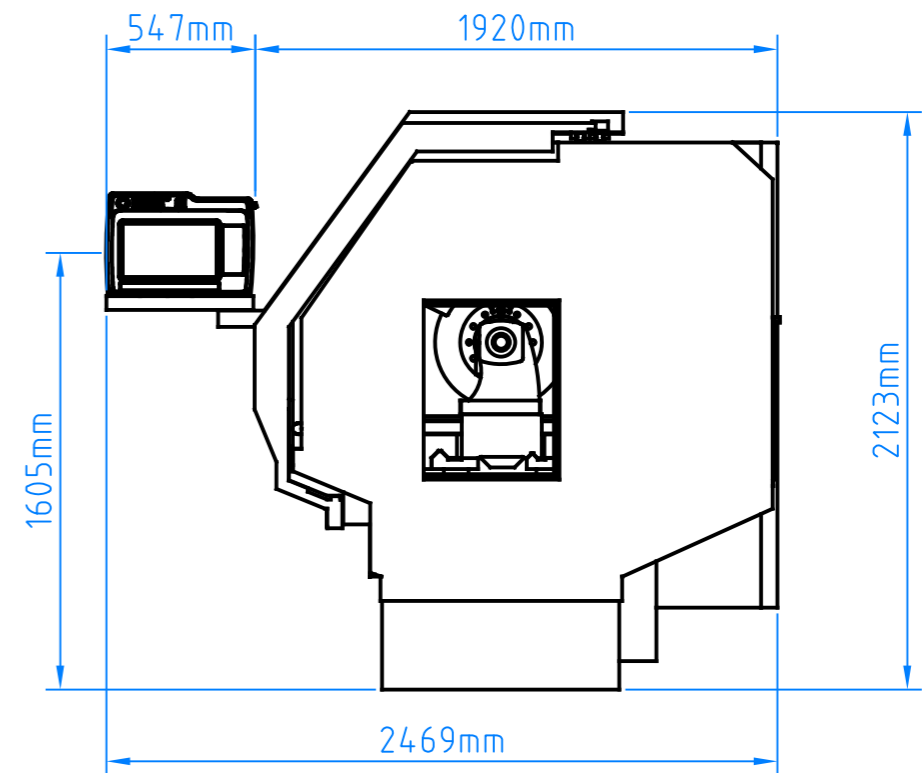
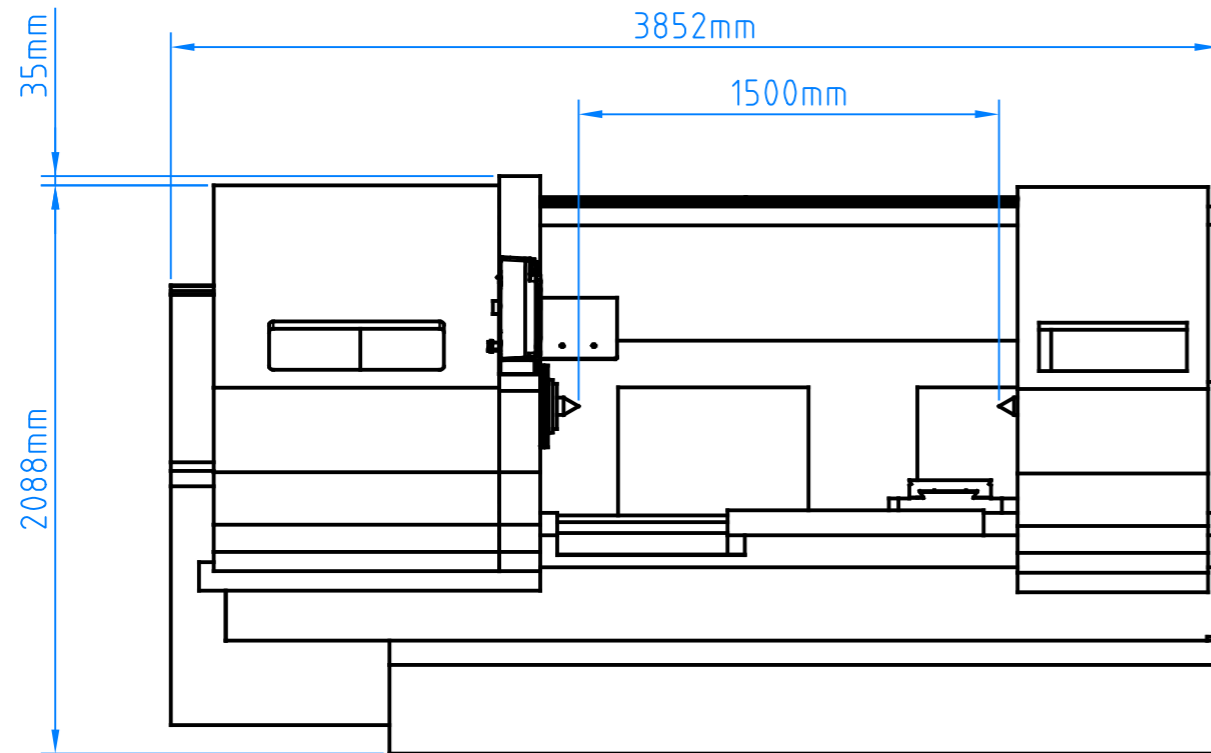
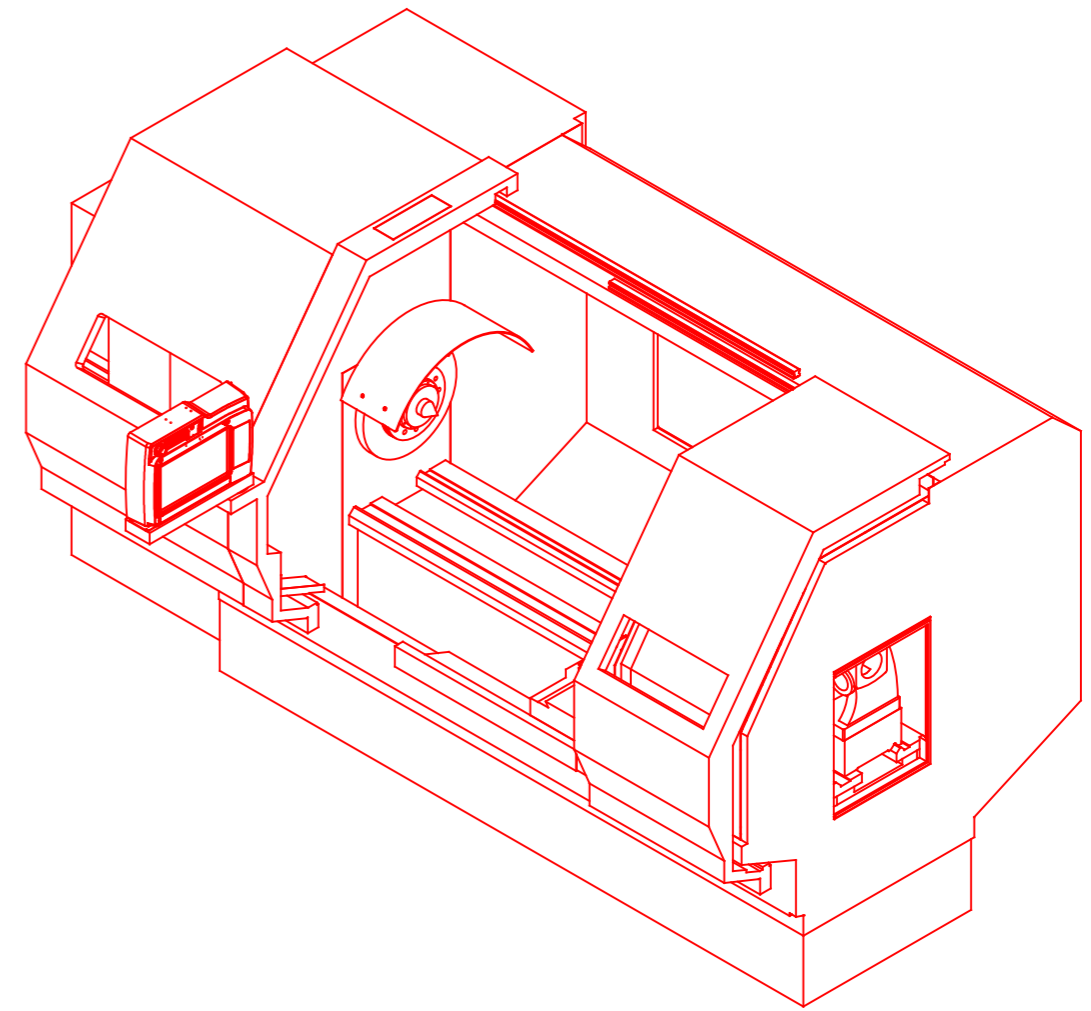
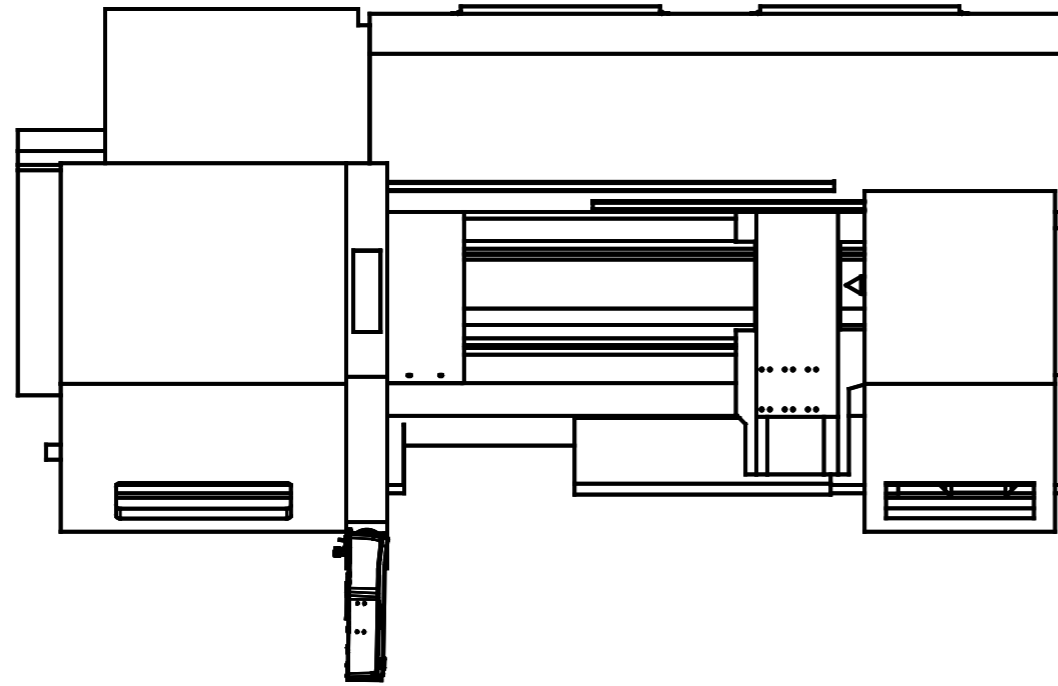




PLEASE NOTE: ALLOW 500MM ACCESS AROUND  
M/C FOR SAFETY/MAINTENANCE



ISSUE DATE:  
17-04-2023

VERSION NO:  
1

MODIFIED BY:

MODIFIED DATE:  
17-04-2023

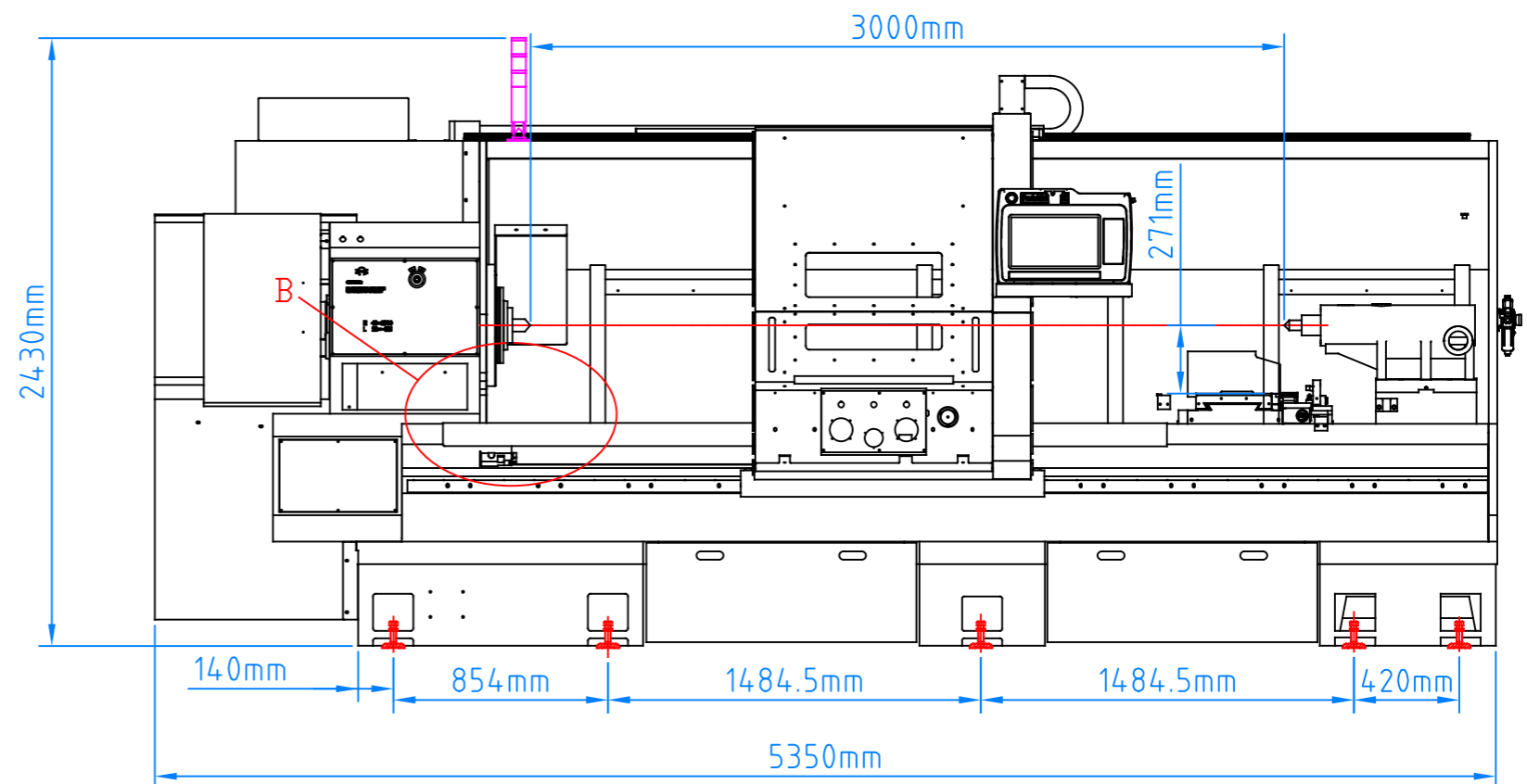
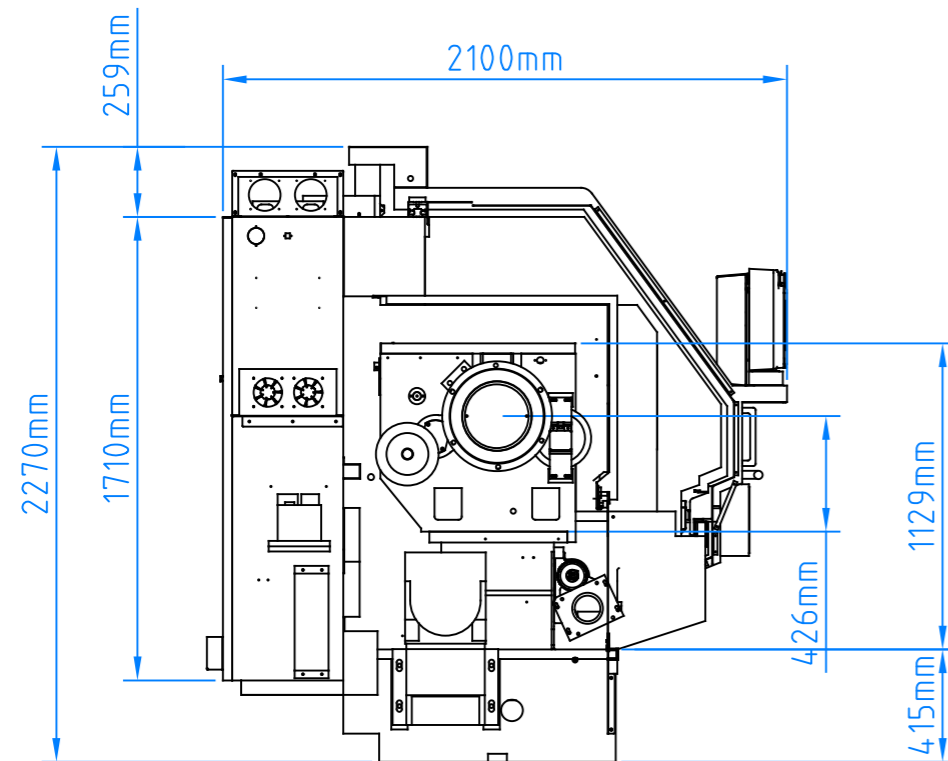
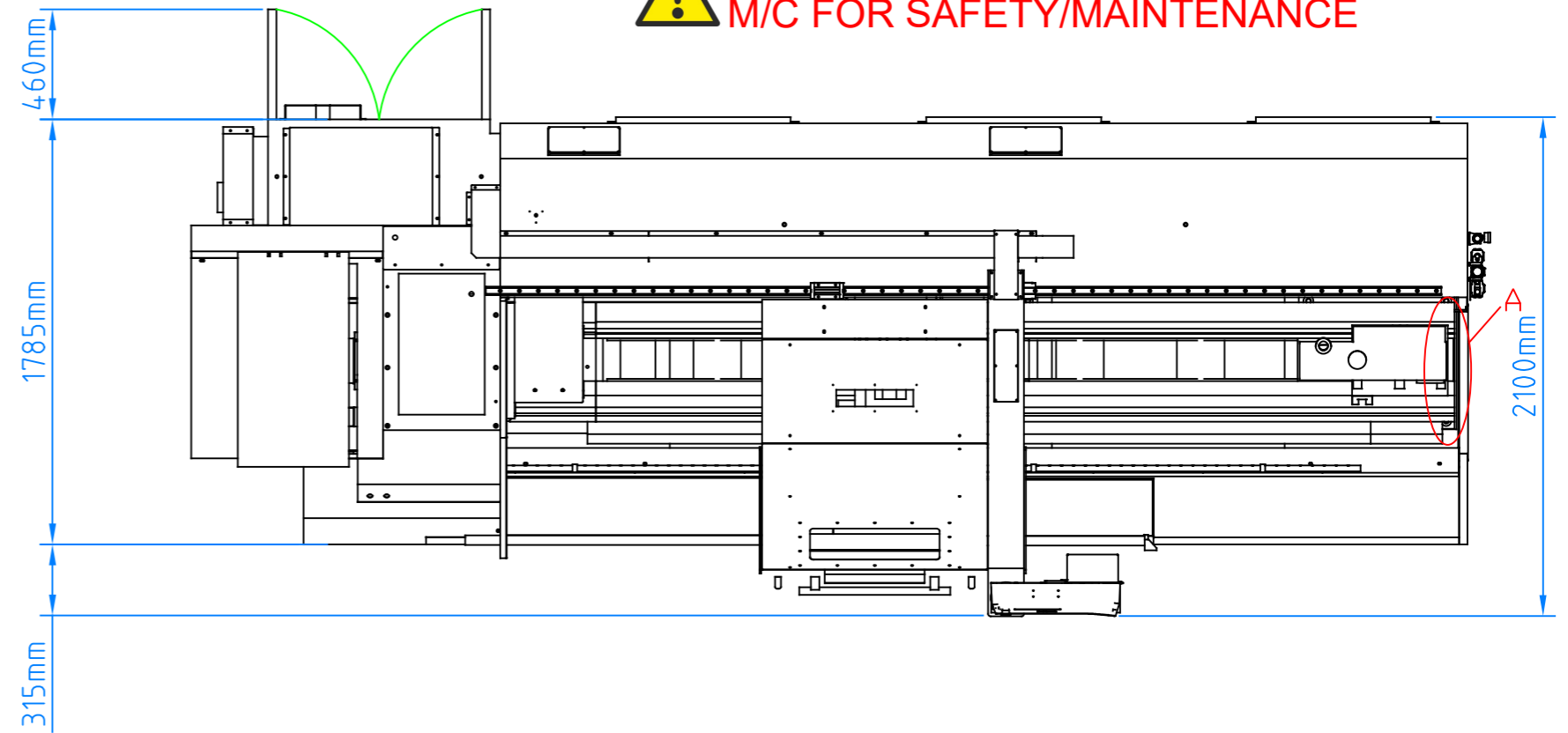
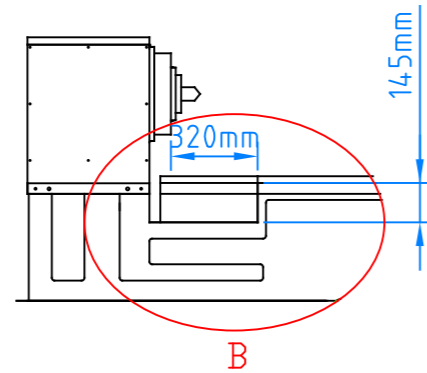
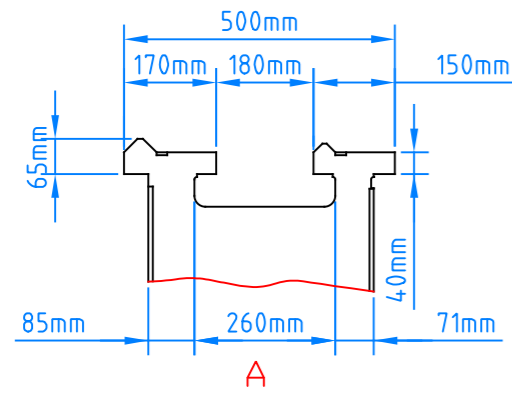
MACHINE MODEL:  
**XYZ RLX 780 x 1.5M**

DRAWING No:  
MDD-16838-03





PLEASE NOTE: ALLOW 500MM ACCESS AROUND M/C FOR SAFETY/MAINTENANCE



ISSUE DATE:  
04-05-2021

MODIFIED BY:

MACHINE MODEL:

DRAWING No:

VERSION NO:  
2

MODIFIED DATE:  
26-05-2021

**XYZ RLX 780**

**MDD-16838-02**

**XYZ**  
Machine Tools