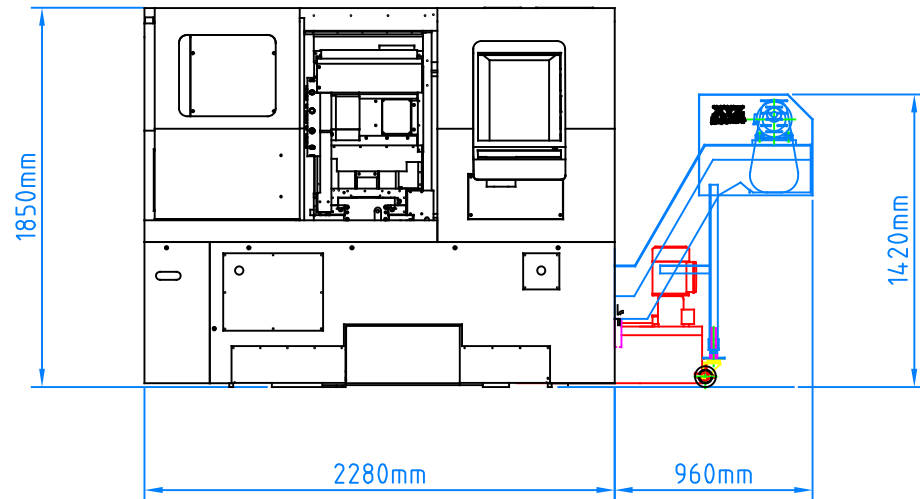
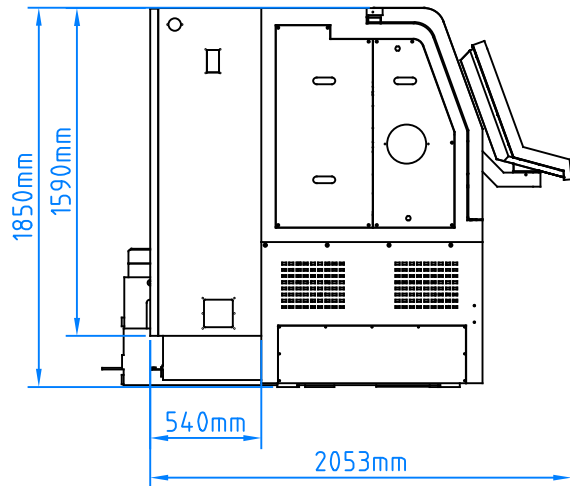
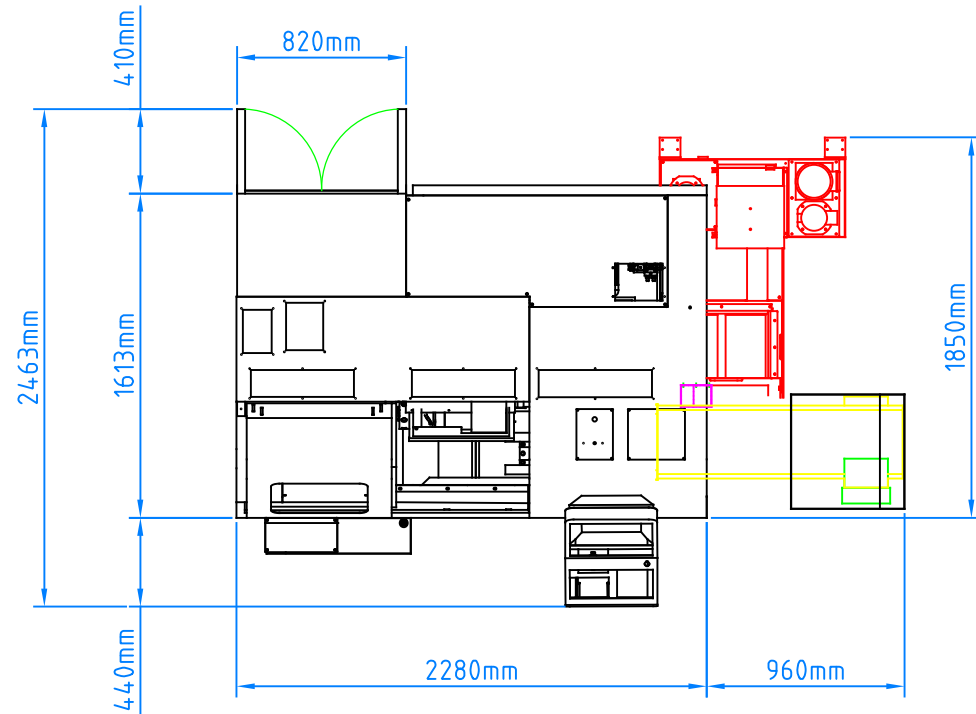




PLEASE NOTE: ALLOW 500MM ACCESS AROUND
M/C FOR SAFETY/MAINTENANCE - EXCEPT SWARF
CONVYOR - SEE SITING DRAWING



ISSUE DATE:
24-07-2019

MODIFIED BY:
M.HIGSON

MACHINE MODEL:

DRAWING No:

VERSION NO:
1

MODIFIED DATE:
29-07-2019

XYZ CT65LTY

MDD-15411-01

XYZ
Machine Tools