

## **XYZ 4000 TCM**

**4,000 x 800 mm TABLE**  
**4,000 x 800 x 600 mm TRAVEL**  
**8,000 RPM SPINDLE**  
**SOLID CASTING 22,000 KG**

## **XYZ 6000 TCM**

**6,000 x 800 mm TABLE**  
**6,000 x 800 x 600 mm TRAVEL**  
**8,000 RPM SPINDLE**  
**SOLID CASTING 25,000 KG**

## **XYZ 8000 TCM**

**8,000 x 800 mm TABLE**  
**8,000 x 800 x 600 mm TRAVEL**  
**8,000 RPM SPINDLE**  
**SOLID CASTING 28,000 KG**

## **XYZ 10000 TCM**

**10,000 x 800 mm TABLE**  
**10,000 x 800 x 600 mm TRAVEL**  
**8,000 RPM SPINDLE**  
**SOLID CASTING 32,000 KG**

**SIEMENS**  
**Touchscreen**

**HEIDENHAIN**  
**Touchscreen**



The perfect Aerospace production platform with up to 10,000 mm on the X axis.

Introducing the large X axis range of Travelling Column Machines, perfect for those large Aerospace/Energy components. Make easy work of those big aerospace components with the XYZ range of large X-axis Travelling Column machines. The machines benefit from the latest Siemens or Heidenhain control featuring advanced and easy to program conversational software, along with 'roller' linear ways that ensure optimum precision and speed.

**XYZ 4000 TCM**

**XYZ 6000 TCM**

**XYZ 8000 TCM**

**XYZ 10000 TCM**

### Standard Equipment

**Siemens 828D ShopMill Touchscreen Control or Heidenhain TNC 620 Touchscreen Control.**

**X axis linear scale.**

**Full splash guard.**

**Coolant and Wash-down.**

**Auto lubrication pump.**

**8,000 rpm spindle, BT40.**

**X/Y/Z rapid 24 M / Min.**

**24 station Arm Type ATC.**

**Metal telescopic cover for 3 axis.**

**Swarf Auger with bin.**

### Optional Equipment

**12,000 rpm spindle and cooler.**

**BT50 spindle.**

**Tilt head (B axis).**

**Two speed gearbox.**

**Through spindle coolant.**

**Upgrade to 30 station ATC.**

**Swarf Conveyor and bin.**

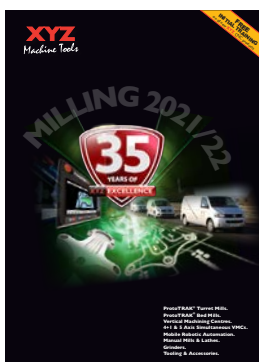
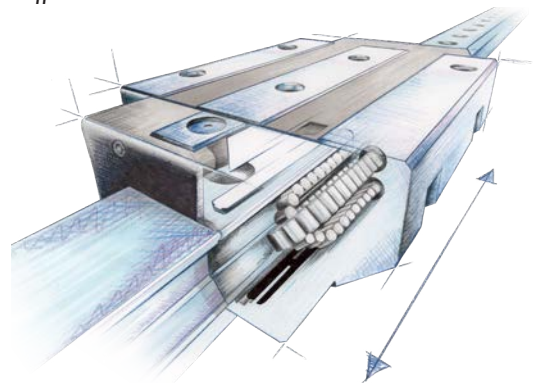
**Linear Scales.**

**Contour Handwheel (wind the handwheel to run through the program).**

	<b>XYZ 4000, 6000, 8000 and 10000 TCM</b>
Table size (W x L)	800 mm x / 4,000 / 6,000 / 8,000 / 10,000 mm
Travelling column X axis	4,000 / 6,000 / 8,000 / 10,000 mm
Y axis travel	800 mm
Z axis travel	600 mm (800mm optional)
Spindle taper	BT40 (BT50 optional)
Spindle speed	60 - 8,000 rpm 15HP
Spindle SI continuous	20 HP / 15 kW
S2-30 mins	24 HP / 18 kW
S6 25% (2.5 mins in 10)	38 HP / 28.5 kW
X / Y / Z axis rapid	24 M / min
Cutting feedrate	24,000 mm / min
X axis transmission	Backlash free dual gearbox with GUDEL (Swiss made) high precision gear rack.
Z & Y axis	Ballscrew
X / Y / Z slide way	Roller linear way
Weight	22,000 Kg / 24,000 Kg / 26,000 Kg / 32,000 Kg

### With Linear Roller Bearing Slides

*A larger bearing contact area for high speed precision and enhanced stiffness and rigidity.*



Part of the **XYZ Milling Catalogue** which includes:  
**ProtoTRAK® Turret Mills.**  
**ProtoTRAK® Bed Mills.**  
**Vertical Machining Centres.**  
**4+1 & 5 Axis Simultaneous VMCs.**  
**Mobile Robotic Automation.**  
**Manual Mills & Lathes.**  
**Grinders.**  
**Tooling & Accessories.**



Visit [www.xyzmachinetools.com](http://www.xyzmachinetools.com) or the YouTube channel to see the video.