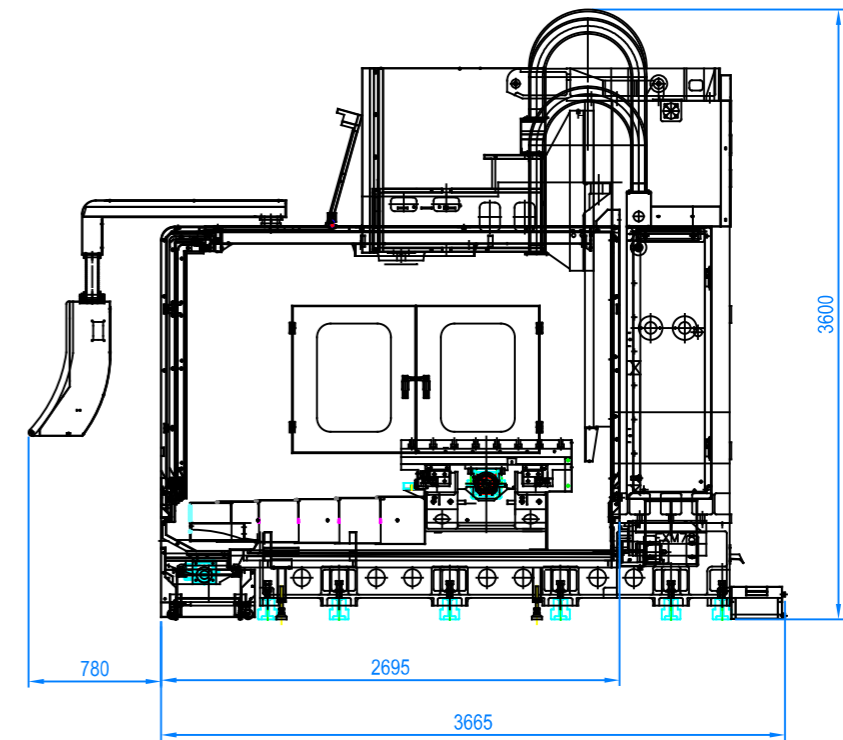
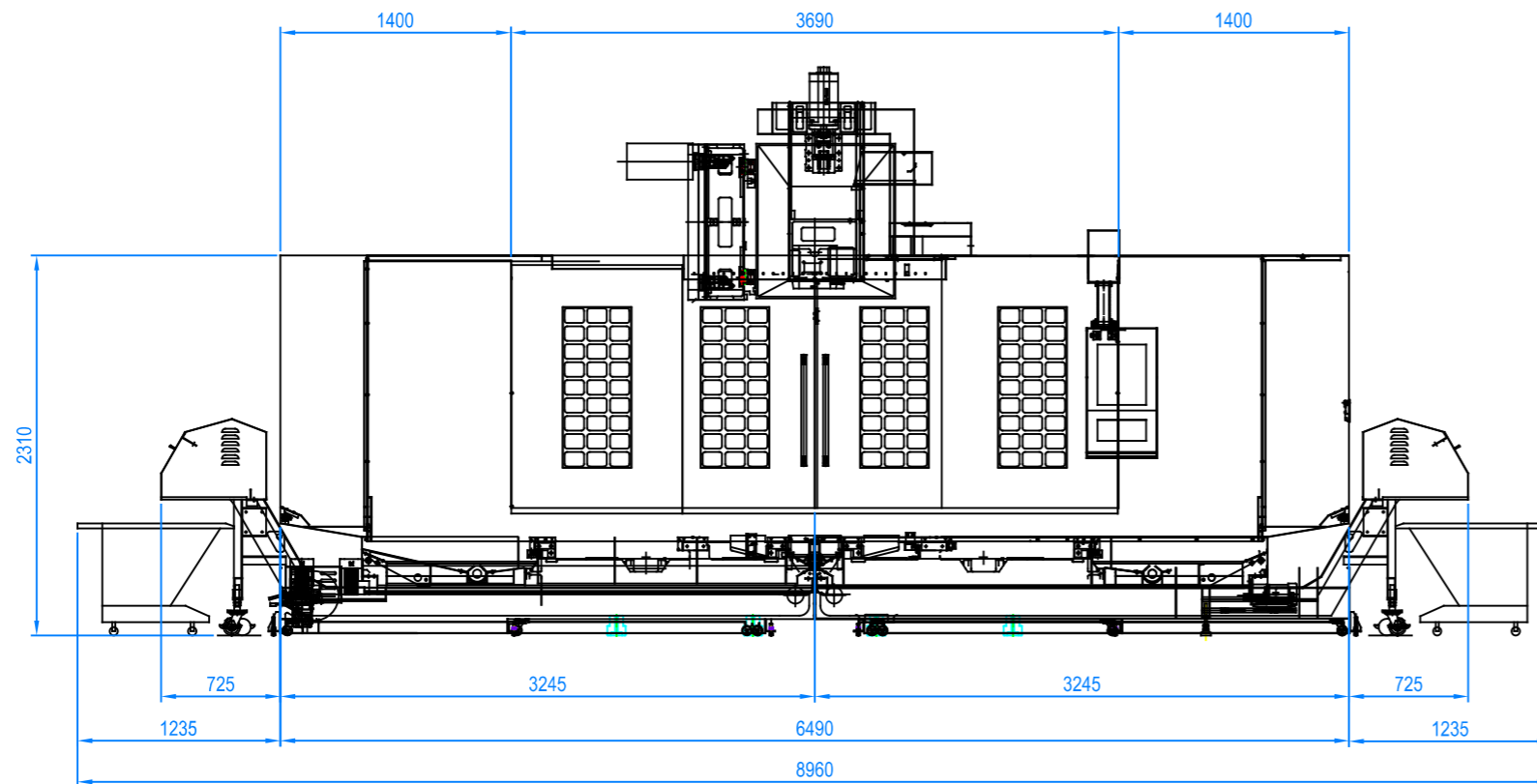


**!** PLEASE NOTE: ALLOW 500MM ACCESS AROUND M/C FOR SAFETY/MAINTENANCE



ISSUE DATE:  
21-03-2024

MODIFIED BY:

MACHINE MODEL:

DRAWING No:

VERSION NO:  
1

MODIFIED DATE:  
21-03-2024

**XYZ 2510 VMC**

MDD-13653-02

**XYZ**  
Machine Tools