

XYZ I600 LR

SPINDLE 20 HP / 15 kW

1,600 x 660 mm TABLE

1,600 x 660 x 635 mm TRAVEL

8,000 RPM SPINDLE

SOLID CASTING 6,500 KG

SIEMENS



As the largest machine in the LR range the XYZ I600 LR provides large capacity at an affordable price.

The **XYZ I600 LR** has an impressive specification, including 1,600 mm of travel in the X-axis 660 in Y and 635 in Z. It has a 15 kW, 8,000 rpm, BT 40 spindle as well as the standard 24 station arm-type tool changer.

The recent development in linear rail technology now means that XYZ can deliver a machine of this size to a very competitive price/performance ratio. Demonstrations of XYZ's linear rail machines are available at any of the XYZ showrooms.

Give yourself a competitive advantage, charge higher rates for those bigger jobs or get more smaller jobs on the table. There may well be a shortage of bigger capacity machines in your area.

XYZ I600 LR

SPINDLE 20 HP / 15 kW
1,600 x 660 mm TABLE
1,600 x 660 x 635 mm TRAVEL
8,000 RPM SPINDLE
SOLID CASTING 6,500 KG

Standard Equipment

- Siemens 828D Control.**
- Optimised Digital Servos.**
- Rigid Tapping.**
- Flood Coolant.**
- Worklight.**
- 24 Station Arm Type ATC.**
- Easy Clean Swarf Tray.**
- Steel Concertina Guards on all axes.**
- Powder Coated Guarding.**
- Pull Studs.**
- USB Port.**
- Compact Flash Card Slot.**

Optional Equipment

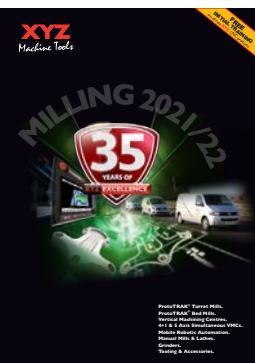
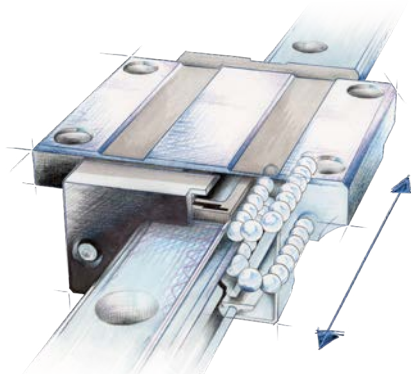
- 4th Axis Rotary Table.**
- Swarf Conveyor and Bin.**
- Renishaw/Heidenhain Toolsetting and Probing.**
- 12,000 rpm Spindle.**
- Through Spindle Coolant.**
- Remote Electronic Handwheel.**
- Side Vision Panels.**
- Offline Programming.**
- ShopMill Advanced Software.**
- Contour Handwheel (wind the handwheel to run through the program).**
- Factory Networking.**
- Advanced Swarf Management System.**
- DXF Reader.**

	XYZ I600 LR
X travel	1,600 mm
Y travel	660 mm
Z travel	635 mm
Table size	1,600 x 660 mm
Spindle centre to column	750 mm
Spindle to table	105 - 740 mm
Column front to table centre	370 - 1,030 mm
Rapid feed XYZ axis	20,000 mm/min
Cutting feed rates	1 - 20,000 mm/min
Max table load	1,000 kg
T slot size	18 mm
T slot number & pitch	5 @ 100 mm
Spindle speed	8,000 rpm (12,000 rpm opt)
Spindle motor	20 HP / 15 kW
Spindle taper	BT 40
Tool magazine capacity	24
Tool change time tool to tool	2.5 sec
Max tool diameter	80 mm
Max tool weight	8 kg
Coolant capacity	160 L
Ballscrew size (grade C3)	40 mm P8
AC servo motor size	X and Y 12Nm Z 16Nm
Machine weight	6,500 kg
Footprint W x D x H	4,000 x 2,650 x 3,000 mm

Conforming to ISO 10791	
Positional accuracy	+/- 5 microns
Repeatability	+/- 2 microns
Circularity over 300mm	10 microns
Geometric accuracy over 300mm	10 microns

With Linear Rail Ball Bearing Slides

New advances in Linear Rail Technology have enabled XYZ to produce a highly cost effective range of VMCs, the best selling XYZ LR range.



Part of the **XYZ Milling Catalogue** which includes:
ProtoTRAK® Turret Mills.
ProtoTRAK® Bed Mills.
Vertical Machining Centres.
4+1 & 5 Axis Simultaneous VMCs.
Mobile Robotic Automation.
Manual Mills & Lathes.
Grinders.
Tooling & Accessories.



Visit www.xyzmachinetools.com or the YouTube channel to see the video.