

XYZ 1000 LR

Spindle: 15kW (20hp) 8,000 rpm

Table Size: 1,060 x 500mm

Travels: 1,000 x 5000 x 500mm

Machine Weight: 4,600kg

SIEMENS



As one of the most popular sizes of VMC, the XYZ 1000 LR provides large capacity at an affordable price.

The **XYZ 1000 LR** has an impressive specification, including 1,000mm of travel in the X-axis and 500mm in both the Y and Z axes. It shares the same 15kW, 8,000rpm, BT40 spindle with the other machines in the range as well as the standard 20 position tool carousel. Like other models it has the option of a 24 station arm-type tool changer.

XYZ 1000 LR

Standard Equipment

- Siemens 828D Control.
- Optimised Digital Servo Drives.
- Rigid Tapping.
- Flood Coolant.
- Worklight.
- 20 Station Carousel ATC.
- Easy Clean Swarf Tray.
- Steel Concertina Guards on all axes.
- Powder Coated Guarding.
- Pull Studs.
- USB Port.
- Compact Flash Card Slot.

Optional Equipment

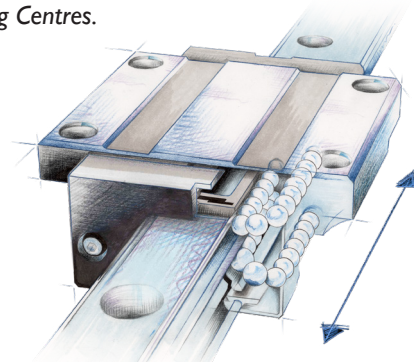
- 24 Station Arm Type ATC.
- 4th Axis Rotary Table.
- Swarf Conveyor and Bin.
- Renishaw/Heidenhain Toolsetting and Probing.
- 12,000 rpm Spindle.
- Through Spindle Coolant.
- Remote Electronic Handwheel.
- Side Vision Panels.
- Offline Programming.
- ShopMill Advanced Software.
- Contour Handwheel (*wind the handwheel to run through the program*).
- Factory Networking.
- Advanced Swarf Management System.
- DXF Reader.
- Coolant Washdown Gun.

Specification	XYZ 1000 LR
X Axis Table Travel	1,000mm
Y Axis Table Travel	500mm
Z Vertical Travel	500mm
Table Size	1,060 x 500mm
Spindle Centre to Column	532mm
Spindle to Table	110 - 610mm
Column Front to Table Centre	282 - 782mm
Rapid Feedrate	20 M/min
Cutting Feedrates	1 - 20,000 MM/min
Max Table Load	800kg
T Slot Size	16mm
T Slot Number & Pitch	4 off @ 125mm Pitch
Spindle Speeds	5 - 8,000 rpm (12,000 Opt)
Spindle Motor	15kW (20hp)
Spindle Taper	BT40 (SK & Cat Opt)
Toolchanger	20 Station Carousel / (24 Arm Opt)
Toolchange Time	8 secs (Carousel) / 2.5 secs (Arm)
Max Tool Diameter	100mm (Carousel) / 78mm (Arm)
Max Tool Weight	7kg
Coolant Tank Capacity	160L
Ballscrew (Grade C3)	32mm Dia P8
AC Digital Servo Motors Max Torque	X = 8 Nm / Y = 8 Nm / Z = 12 Nm 3,000 rpm
Machine Weight	4,600kg
Footprint	2,865 x 2,390 x 2,680mm

Conforming to ISO 10791	
Positional accuracy	+/- 5 microns
Repeatability	+/- 2 microns
Circularity over 300mm	10 microns
Geometric accuracy over 300mm	10 microns

With Linear Rail Ball Bearing Slides

New advances in Linear Rail Technology have enabled XYZ to produce a highly cost effective range of VMCs, the best selling Machining Centres.



Visit www.xyzmachinetools.com or our YouTube channel to see the video.



Part of the **XYZ Catalogue 2024/25** which includes:
ProtoTRAK® Turret Mills.
ProtoTRAK® Bed Mills.
ProtoTRAK® TMCs.
Vertical Machining Centres.
5 Axis Simultaneous VMCs.
Manual Mills & Lathes.
Grinders.
Tooling & Accessories.