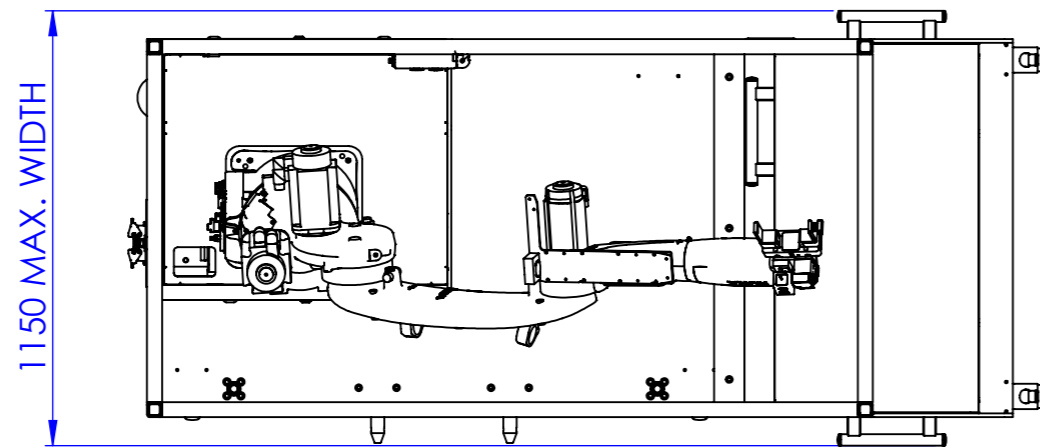
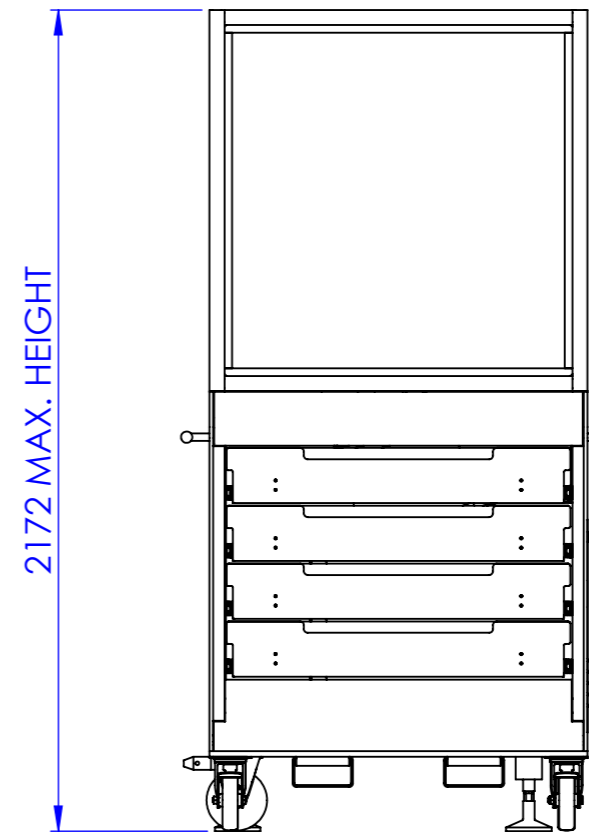
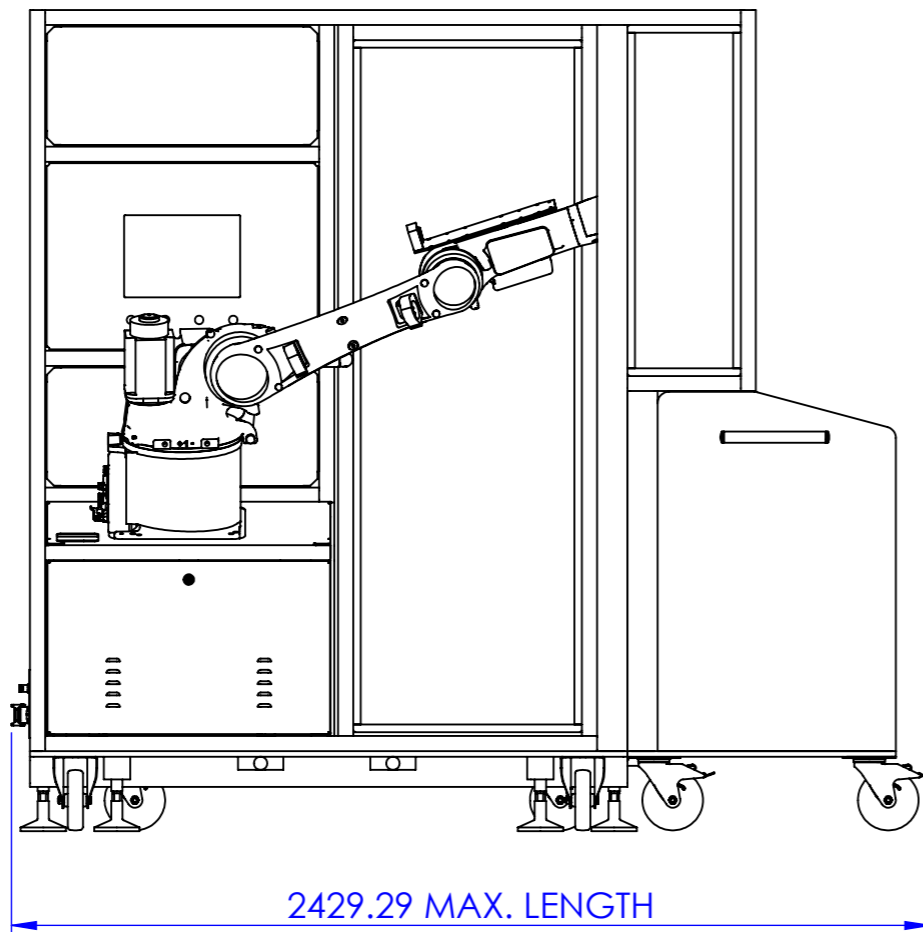



3RD ANGLE PROJECTION

THIS DRAWING IS THE PROPERTY OF ADELPHI AUTOMATION LIMITED AND MUST NOT BE LOANED OR COPIED WITHOUT WRITTEN CONSENT



DRAWING USED TO SHOW MAXIMUM DIMENSIONS OF THE COMPLETE CELL ONLY HENCE NO DRAWING NUMBER. FOR MORE DETAILED DIMENSIONS SEE DETAILED DRAWINGS



				TOLERANCES: Unless otherwise specified <u>Linear:</u> Up to 100mm: ±0.4 100 to 500mm: ±0.5 500 to 1000mm: ±0.8 >1000mm: ±1.0 <u>Angular:</u> ±0.5° All Dimensions in mm Do Not Scale Drawings If in doubt - ASK!	ASSY DRG No.		CLIENT:—		 XYZ
					ADELPHI JOB No.		TITLE		
				DRAWN		ROBOTEND		REV A	
				DATE					
				SCALE (A3)		1:50			
				CHECKED					
				APPROVED					
ZONE	REV.	DESCRIPTION	DATE	APPROVED					