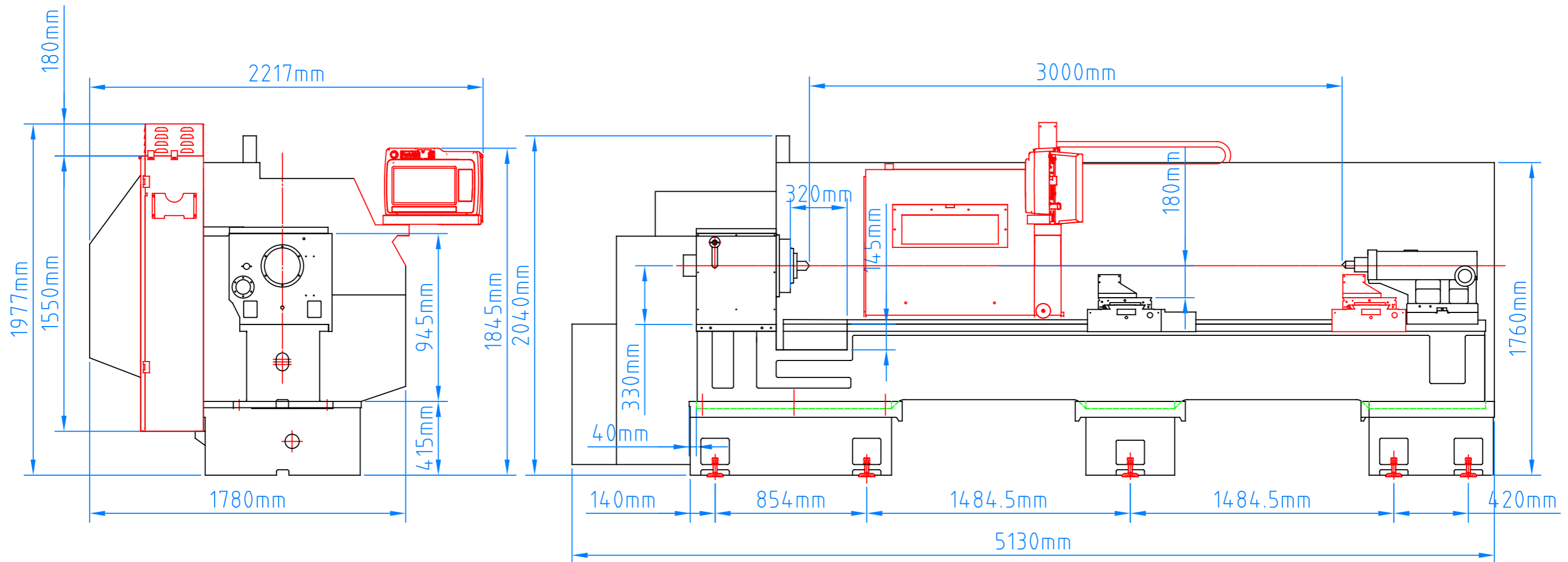
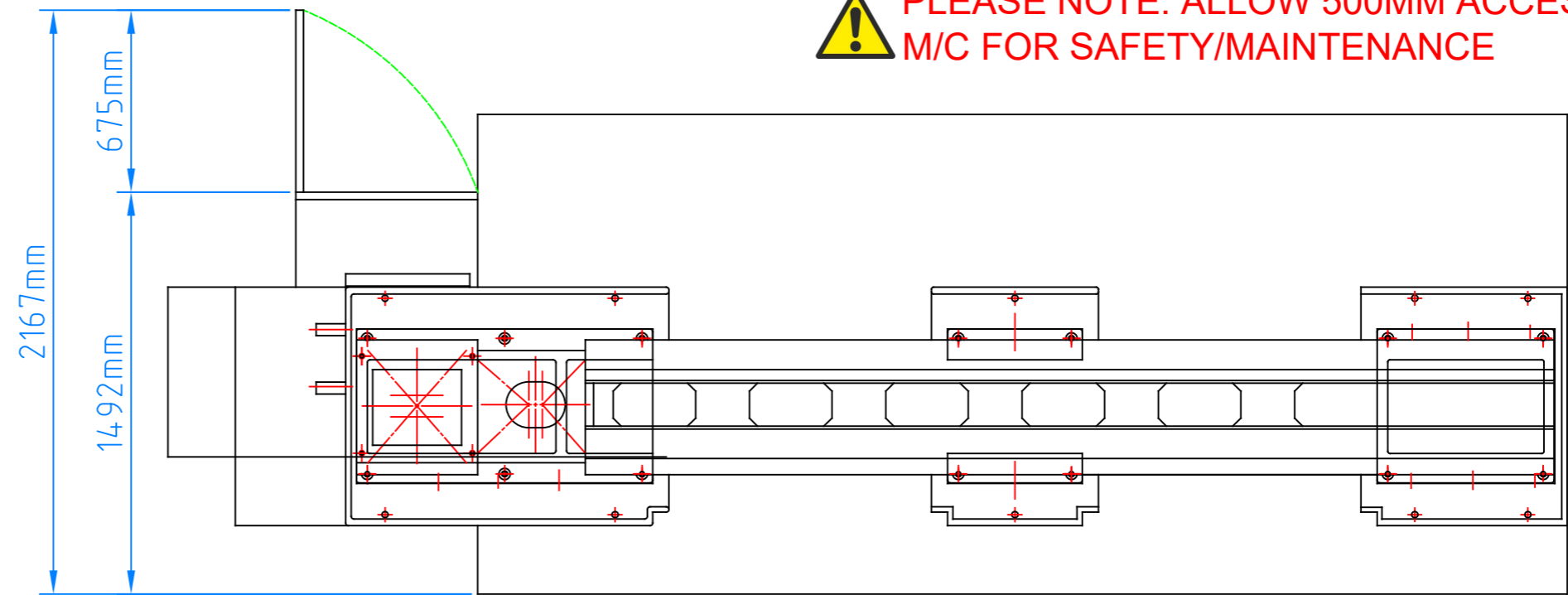




PLEASE NOTE: ALLOW 500MM ACCESS AROUND M/C FOR SAFETY/MAINTENANCE



ISSUE DATE: 12-08-2019
VERSION NO: 1

MODIFIED BY: M.HIGSON
MODIFIED DATE: 12-08-2019

MACHINE MODEL:
XYZ RLX 555 x 3m

DRAWING No:
MDD-16837-01

