

XYZ 610, 810, 1010 VMC

PARTS MANUAL (Manual 2)



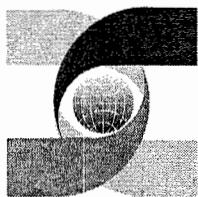
XYZ Machine Tools Ltd
Woodlands Business Park
Burlescombe, Tiverton
Devon, EX16 7LL
Tel: 01823 674200 Fax: 01823 674201

Twinhorn

VERTICAL MACHINING CENTER

PART LIST

VH Series



CHI-FA MACHINERY

CHI-FA MACHINERY MANUFACTURER CO., LTD.

NO. 44 MING-CHUAN RD., SHENG KANG HSIANG,
TAICHUNG HSIEN, TAIWAN 429

TEL:+886-4-25628747 (REP.) FAX:+886-4-25614199 25628389

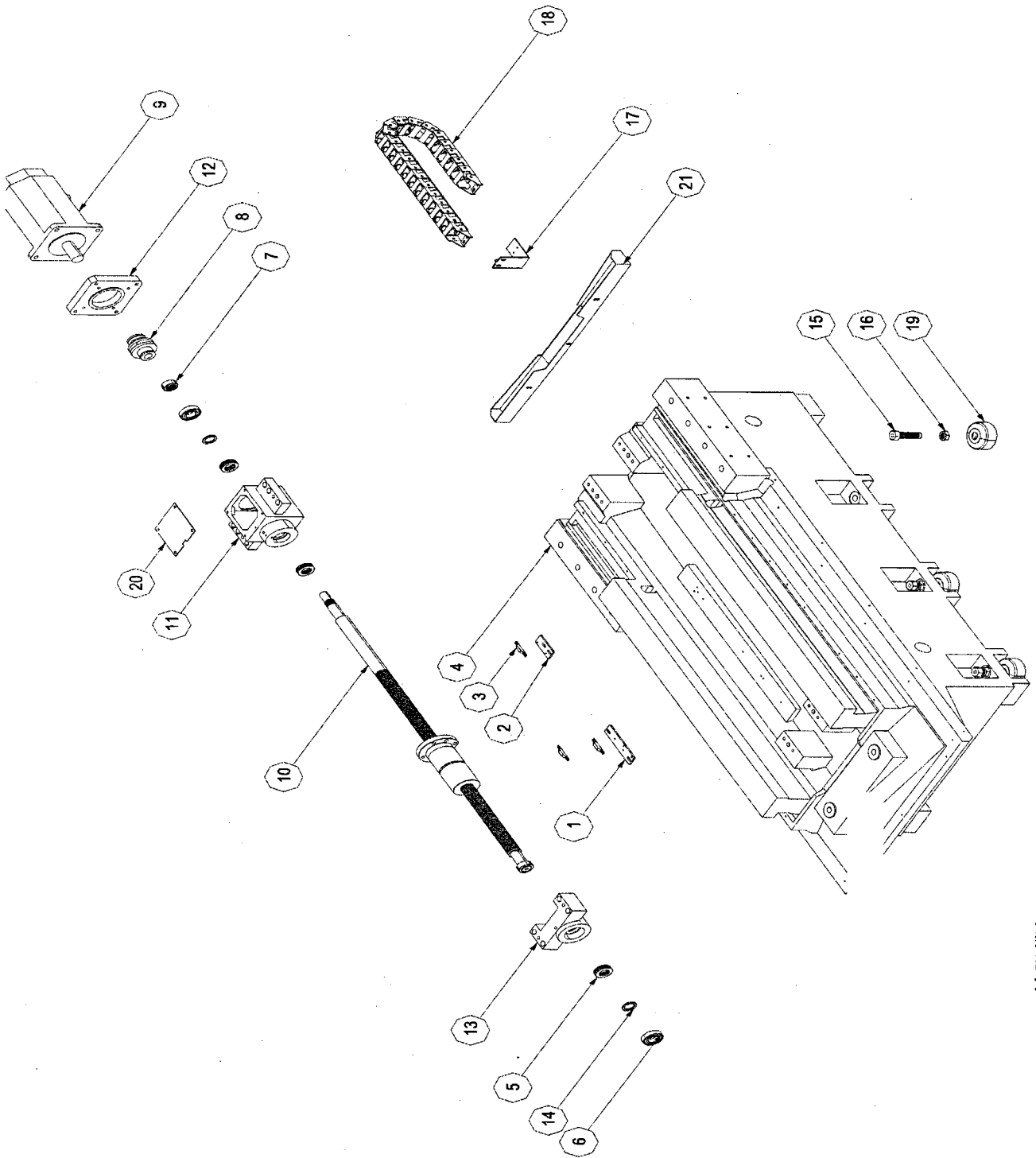
<http://www.twinhorn.com.tw> E-mail:chifaltd@ms36.hinet.net

Chapter 1 Part List

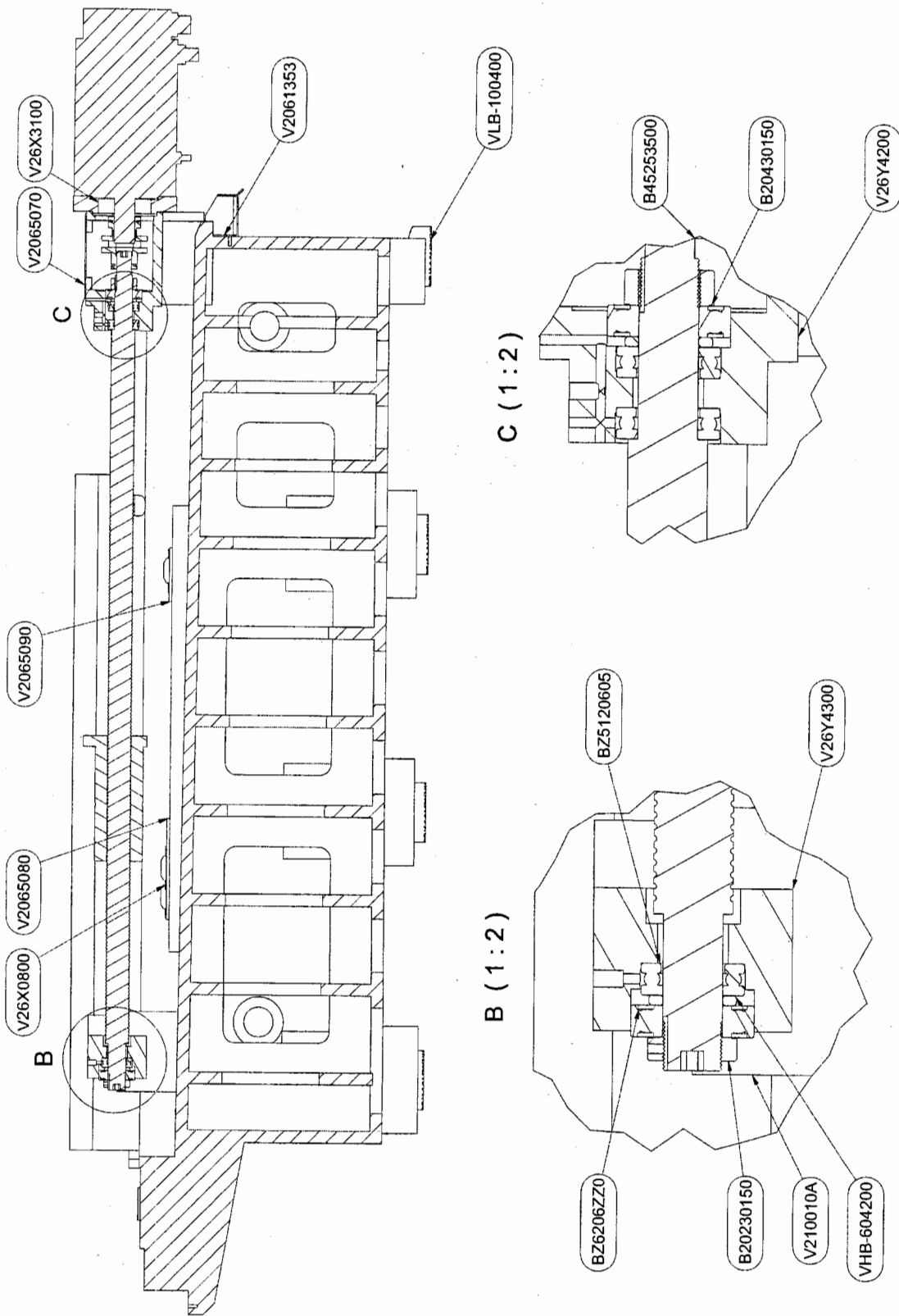
1.1 VH-850,1010 Base Combination (1) Part List

NO:	PART No.	PART NAME	名稱	SPECIFICATION	QTY
1	V2065080 02	LONG GUARD OF DOG HOUSING	碰塊座長板金		1
2	V2065090	SHORT GUARD OF DOG HOUSING	碰塊座短板金		1
3	V26X08C0	LIMIT DOG	極限碰塊		3
4	V210010A 08	BASE	底座		1
5	BZ5120605	THRUST BEARING	止推軸承	NSK #51206	3
6	BZ6206ZZ0	BALL BEARING	滾珠軸承	NSK #6206zz	2
7	B20430150	LOCK NUT	鎖緊螺帽	YINSH YSF-M30x1.5	2
8	B45253500	COUPLING	連軸器	T501-d25x35	1
9	B811AC120	SERVO MOTOR	伺服馬達	FANUC-AC12	1
10	V26Y41L1	Y AXIS BALLSCREW	Y軸滾珠螺桿	PMI R40-10B2-FDW-915-1411-C	1
11	V26Y42C0	Y AXIS TRANSMISSION BOX	Y軸傳動箱		1
12	V26X31C0 01	PLATE OF TRANSMISSION MOTOR	傳動馬達板		1
13	V26Y43C0	Z AXIS END BEARING HOUSING	Y軸尾端軸承座		1
14	VHB-604200 01	COLLAR	隔環		2
15	V2100200 01	ADJUSTABLE BOLT	地基螺栓		8
16	V2100300 01	FOUNDATION NUT	地基螺帽		8
17	VHB065210 01	Y AXIS CABLE CHAIN SUPPORT	Y軸蛇管支架		1
18	B52194210	CABLE PROTECT CHAIN	蛇管組	23目	1
19	VLB-100400 01	LEVELLING PADS	線軌地基墊塊		8
20	V2065070 01	COVER OF TRANSMISSION BOX	傳動座頂蓋		1
21	V2061353 01	OIL GUIDE GROOVE	導油槽		1
22					
23					
24					
25					
26					
27					
28					
29					
30					
31					
32					
33					
34					

1-2 Base Combination (1)



1-3 Base Combination (2)

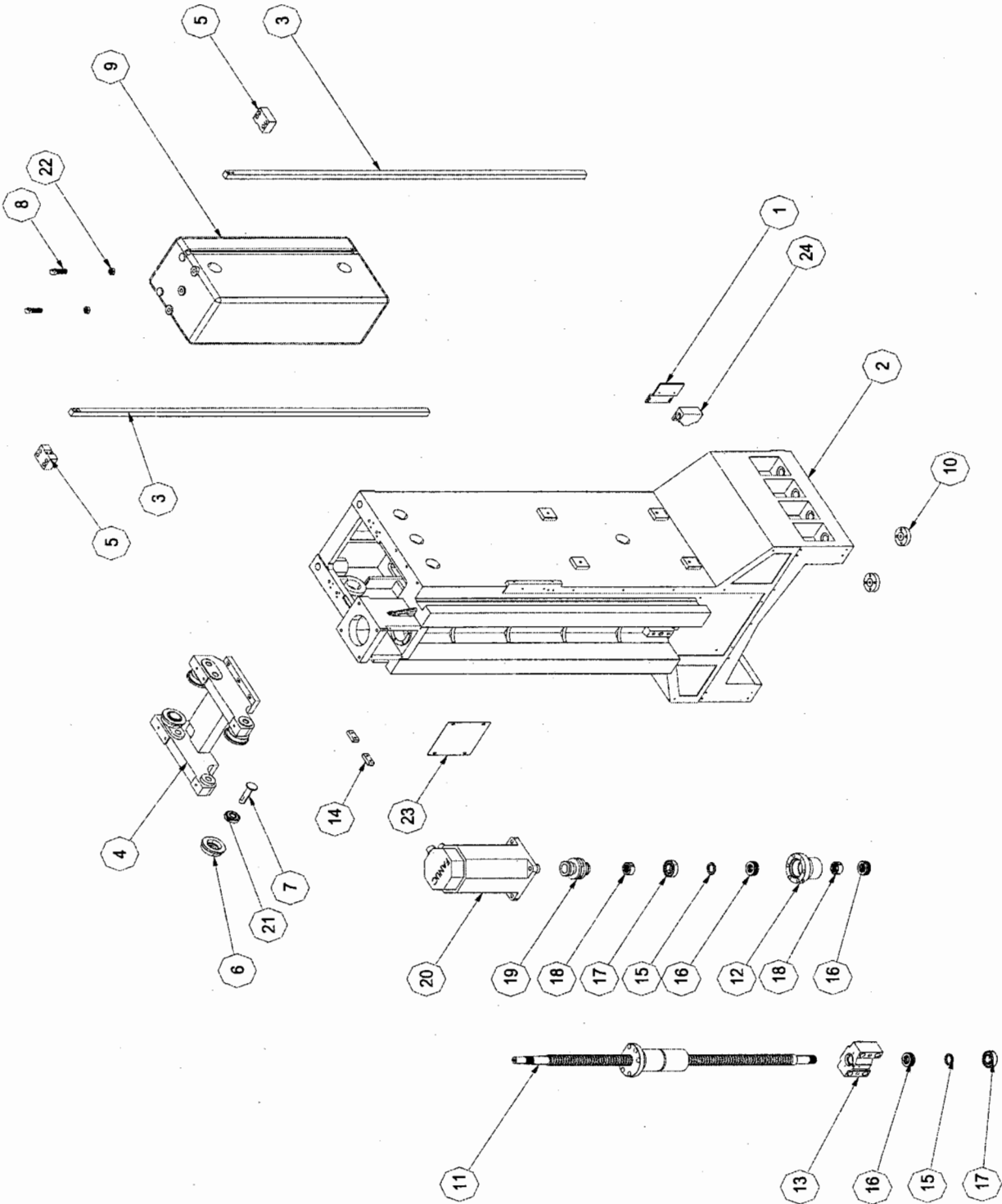


2. Column Combination

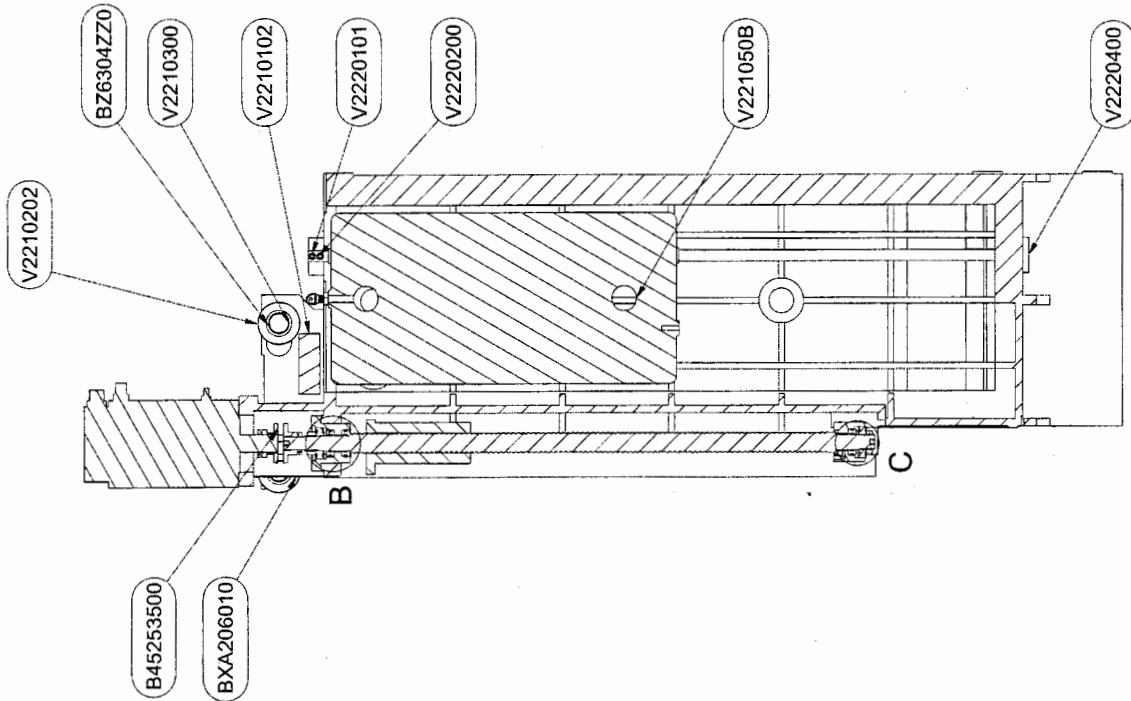
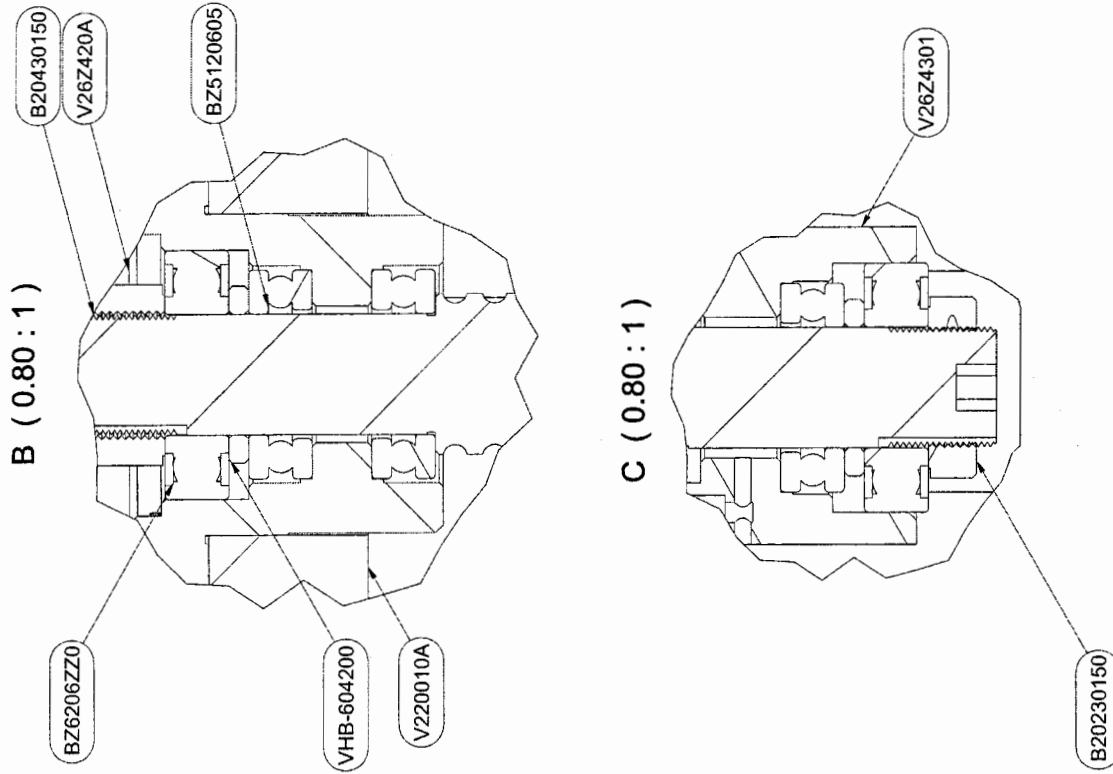
2-1 VH-850,1010 Column Combination (1) Part List

NO.	PART No.	PART NAME	名稱	SPECIFICATION	QTY
1	V2065040 05	Z AXIS LIMIT SWITCH SEAT	Z軸極限開關座		1
2	V220010A 09	COLUMN	立柱		1
3	V2220101 01	GUIDE RAIL OF COUNTERWEIGHT	配重導軌		2
4	V2210102 02	COUNTERWEIGHT BRACKET	配重座		1
5	V2220200	FIXED SEAT OF COUNTER	配重導軌固定座		2
6	V2210202	CHAIN WHEEL	鏈輪		4
7	V2210300	SHAFT OF CHAIN WHEEL	鏈輪軸		4
8	V2210400 01	END BOLT OF OHAIN	機頂吊環螺栓		2
9	V221050B	COUNTERWEIGHT	配重		1
10	V2220400 02	BOTTOM FIXED SEAT OF GUIDE RA	配重導軌下固定座		2
11	V26Z41L1	BALLSCREW OF Z AXIS	Z軸滾珠螺桿	PMI R40-10B2-FDW-901-1188	1
12	V26Z420A 05	Z AXIS DRIVE BEARING SEAT	Z軸傳動軸承座		1
13	V26Z4301 04	Z AXIS END BEARING HOUSING	Z軸尾端軸承座		1
14	V2700800 01	SET KEY OF ATC CONNECT BRACKET	ATC連座固定鍵		2
15	VHB-604200 02	COLLAR	隔環		2
16	BZ5120605	THRUST BEARING	止推軸承	規格: #51206	3
17	BZ6206ZZ0	BALL BEARING	滾珠軸承	#6206zz	2
18	B20430150	LOCK NUT	鎖緊螺帽	YSF-M30x1.5	2
19	B45253500	COUPLING	連軸器	T501-d25x35x87L	1
20	B811AC120	SERVO MOTOR	伺服馬達	FUNAC-AC12	1
21	BZ6304ZZ0	BALL BEARING	滾珠軸承	6304ZZ	4
22	B18162410	HEX. NUT	六角螺帽 M16 P2.0	M16x2.0	2
23	BXA206010 01	COVER OF COLUMN FRONT UPPER	立柱傳動條密封蓋		1
24	E08E12D12	DUAL PIN L.S	2聯式極限開關	SN02R12-502M	1
25					
26					
27					
28					
29					
30					
31					
32					

2-2 VH-850,1010 Column Combination (1)



2-3 VH-850,1010 Column Combination (2)



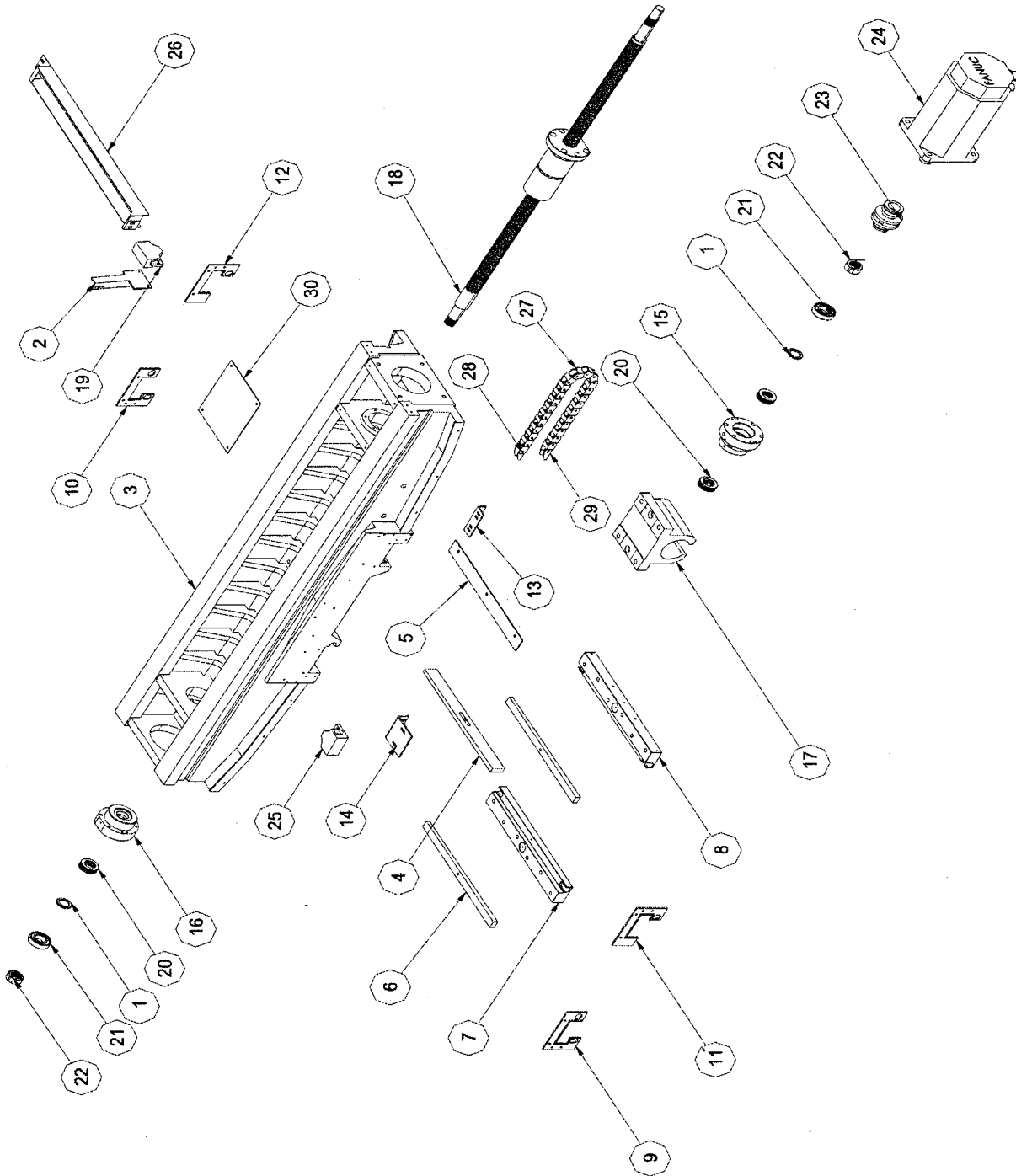
8.3

3.SADDLE COMBINATION

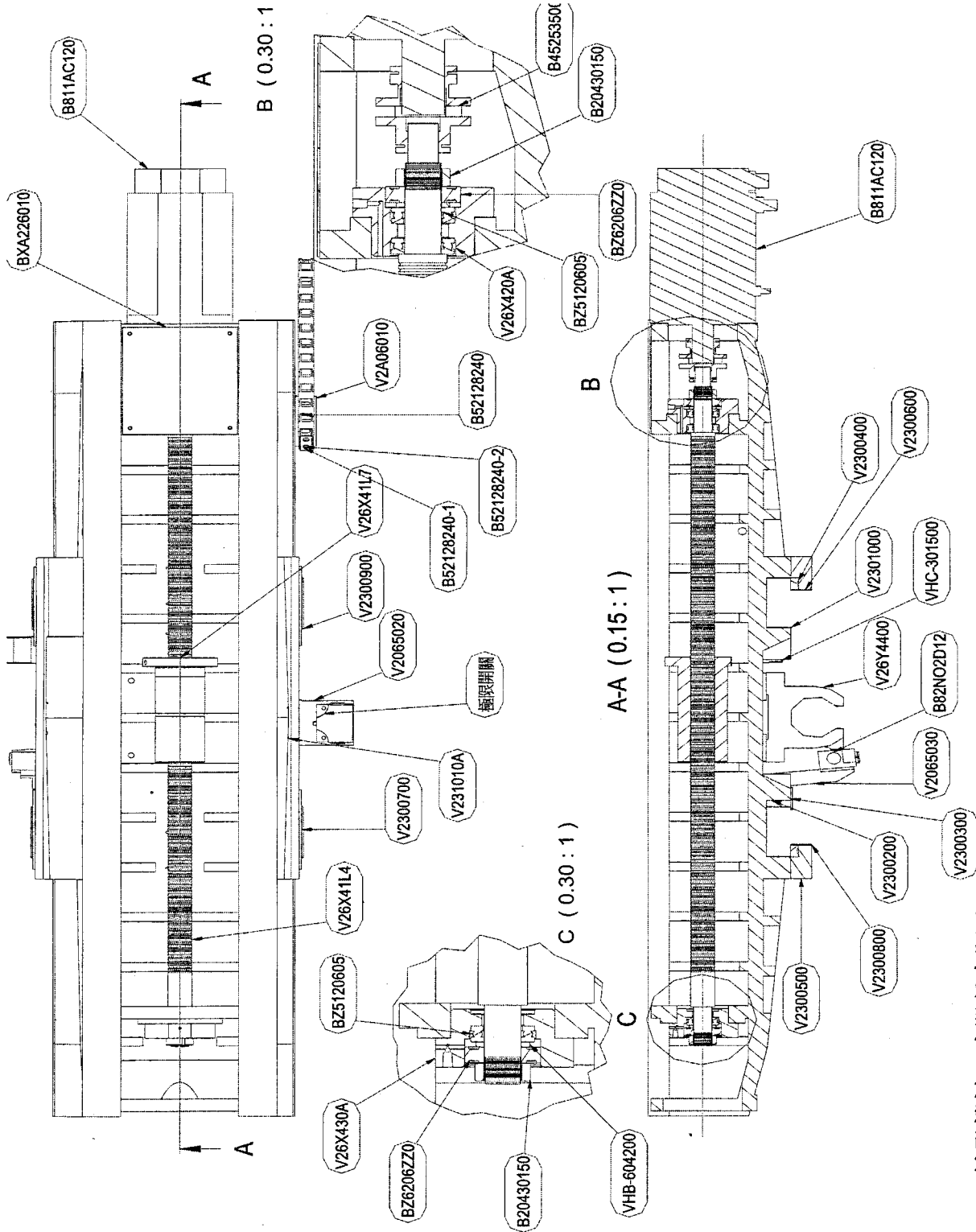
3-1 VH-850 Saddle Combination (1) Part List

NO:	PART No.	PART NAME		SPECIFICATION	Q'TY
1	VHB-604200 02	COLLAR	隔環		2
2	V2065030	Y AXIS L.S BRACKET	Y軸極限開關座		1
3	V231010A 05	SADDLE	鞍座	05:加Y導引側油槽	1
4	V2300200	GUIDE WEDGE	中支斜契		1
5	V2300300	HOLAING PLATE	固定板		1
6	V2300400	UNDER WEDGE	調整斜契		2
7	V2300500	LEFT FIXED HOUSING	左固定座		1
8	V2300600	RIGHT FIXED HOUSING	右固定座		1
9	V2300700	WIPER (LEFT FRONT)	左前刮刷片		1
10	V2300800	WIPER (LEFT REAR)	左後刮刷片		1
11	V2300900	WIPER (RIGHT FRONT)	右前刮刷片		1
12	V2301000	WIPER (RIGHT REAR)	右後刮刷片		1
13	V2A06010 01	X AXIS FLEX. TUBE BRACKET	X軸蛇管支架		1
14	V2065020 01	X AXIS LIMIT SWITCH SEAT	X軸極限開關座		1
15	V26X420A 08	X,Y AXIS TRANSMISSION BEARING HOUSING	X軸傳動軸承座		1
16	V26X430A 05	X,Y AXIS END BEARING HOUSING	X,Y軸尾端軸承座		1
17	V26Y4400 02	X,Y AXIS BALLSCREW NUT HOUSING	X,Y軸螺帽座		1
18	V26X41L4	BALLSCREW OF X AXIS	X軸滾珠螺桿		1
19	EO8E12D11	DUAL PIN L.S(X-AXIS)	2聯式極限開關	SNO2D12-502	1
20	BZ5120605	THRUST BEARING	止推軸承	規格: #51206	3
21	BZ6206ZZ0	BALL BEARING	滾珠軸承	#6206zz	2
22	B20430150	LOCK NUT	鎖緊螺帽	YSF-M30x1.5	2
23	B45253500	COUPLING	連軸器	T501-d25x35x87L	1
24	B811AC120	SERVO MOTOR	伺服馬達	FUNAC-AC12	1
25	EO8E12D11	DUAL PIN L.S	2聯式極限開關	SN02R12-502M	1
26	VKC-301500 01	WIRING TANK OF Y AXIS	Y軸線槽		1
27	B52128240	X-FLEX. TUBE	蛇管組		24
28	B52128240-1	MOUNTING BRACKET	可動接頭		1
29	B52128240-2	MOUNTING BRACKET	固定接頭		1
30	BXA226010 01	X-AXIS MOTOR COVER	鞍座馬達蓋		1
31					
32					

3-2 VH-850 Saddle Combination (1) Part List



3-3 VH-850 Saddle Combination (1) Part List

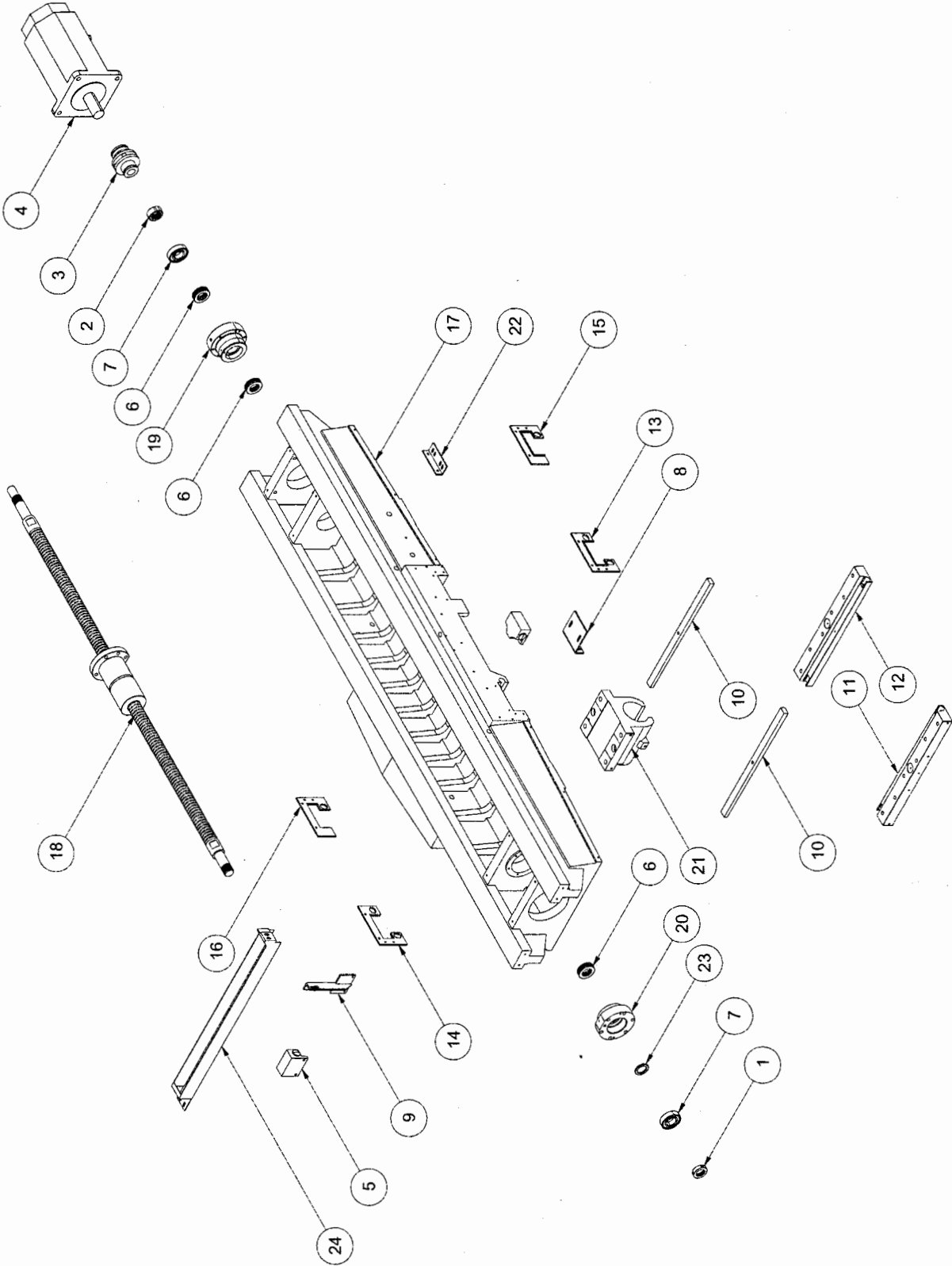


江苏机床工研机公右阳八

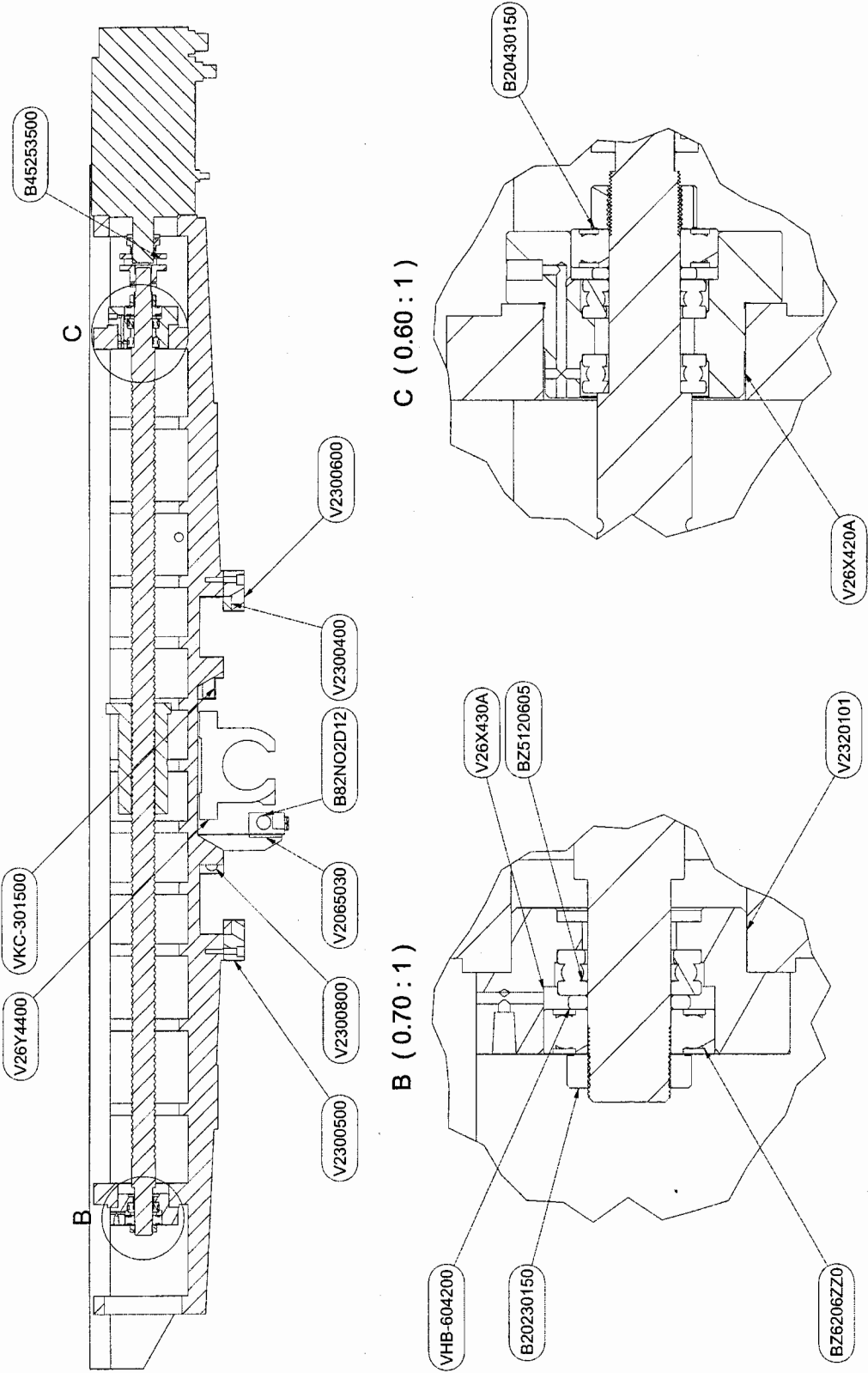
3-4 VH-1010 Saddle Combination (1) Part List

NO:	PART No.	PART NAME	SPECIFICATION	Q'TY
1	B20230150 01	LOCK NUT	YINSH YSR-M30xP1.5	1
2	B20430150	LOCK NUT	YINSH YSF-M30x1.5	1
3	B45253500	COUPLING	T501-d25x35	1
4	B811AC120	SERVO MOTOR	FANUC-AC12	1
5	B82NO2D12	2-CONNECTING LIMIT SWITCH	SNO2D12-502	1
6	BZ5120605	THRUST BEARING	NSK #51206	3
7	BZ6206ZZ0	BALL BEARING	NSK #6206zz	2
8	V2065020 01	X AXIS LIMIT SWITCH SEAT		1
9	V2065030	Y AXIS LIMIT SWITCH SEAT		1
10	V2300400	ADJUSTMENT GIBS		2
11	V2300500	LEFT FIXED HOUSING		1
12	V2300600	RIGHT FIXED HOUSING		1
13	V2300700	WIPER (LEFT FRONT)		1
14	V2300800	WIPER (LEFT REAR)		1
15	V2300900	WIPER (RIGHT FRONT)		1
16	V2301000	WIPER (RIGHT REAR)		1
17	V2320101	SADDLE		1
18	V26X41L5	BALLSCREW OF X AXIS	PMI R40-10B2-FDW-1316-1607-C5	1
19	V26X420A 06	X AXIS TRANSMISSION		1
		BEARING HOUSING		
20	V26X430A 02	X,Y AXIS END BEARING HOUSING		1
21	V26Y4400 02	X,Y AXIS BALLSCREW NUT HOUSING		1
22	V2A06010	X CABLE CHAIN BRACKET		1
23	VHB-604200 01	COLLAR		2
24	VKC-301500 01	WIRING TANK OF Y AXIS		1
25		2-CONNECTING LIMIT SWITCH	SN02R12-502M	1
26				
27				
28				
29				
30				
31				
32				
33				
34				

3-5 VH-1010 Saddle Combination (1) Part List



3-5 VH-1010 Saddle Combination (1) Part List

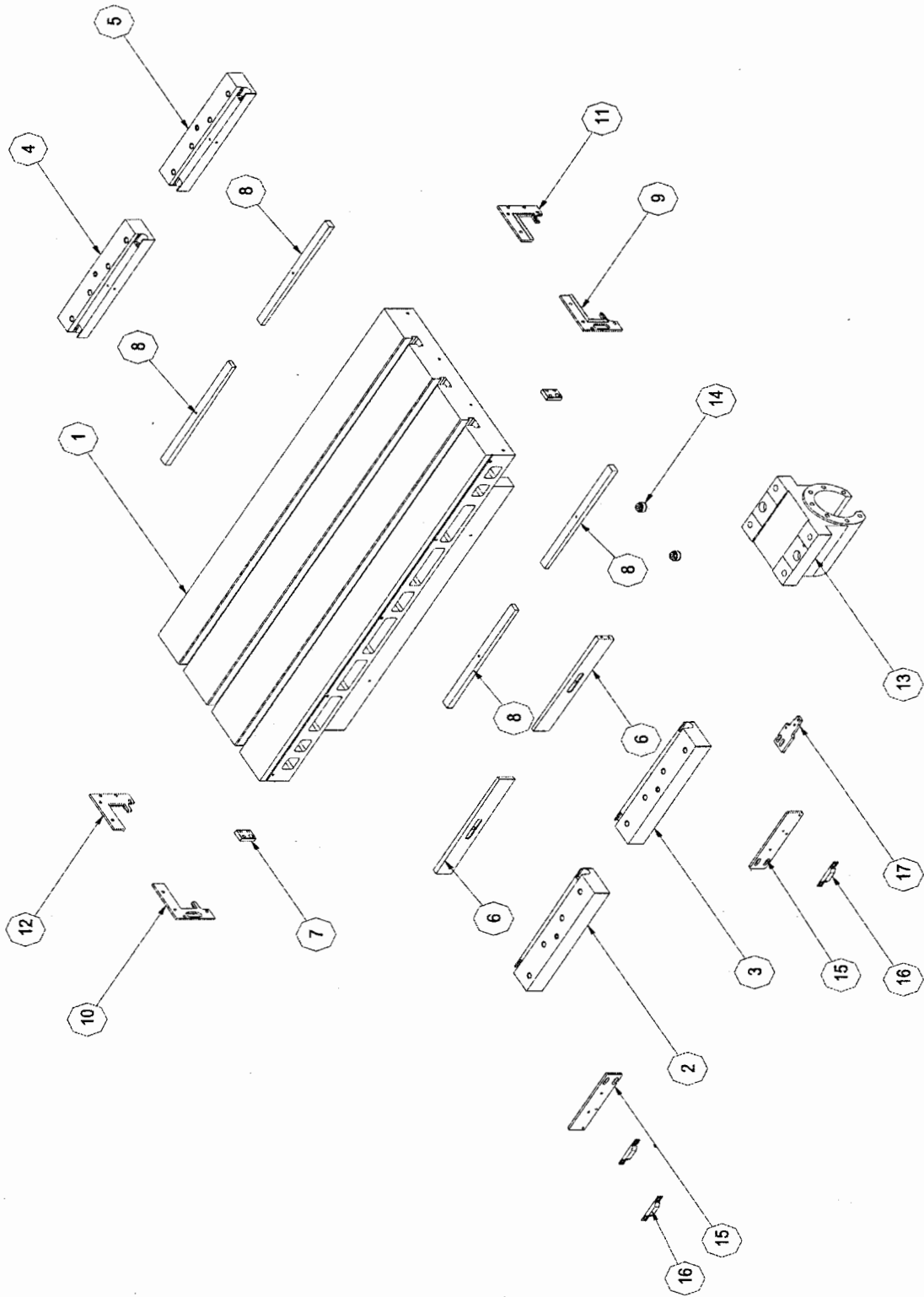


4. Table Combination

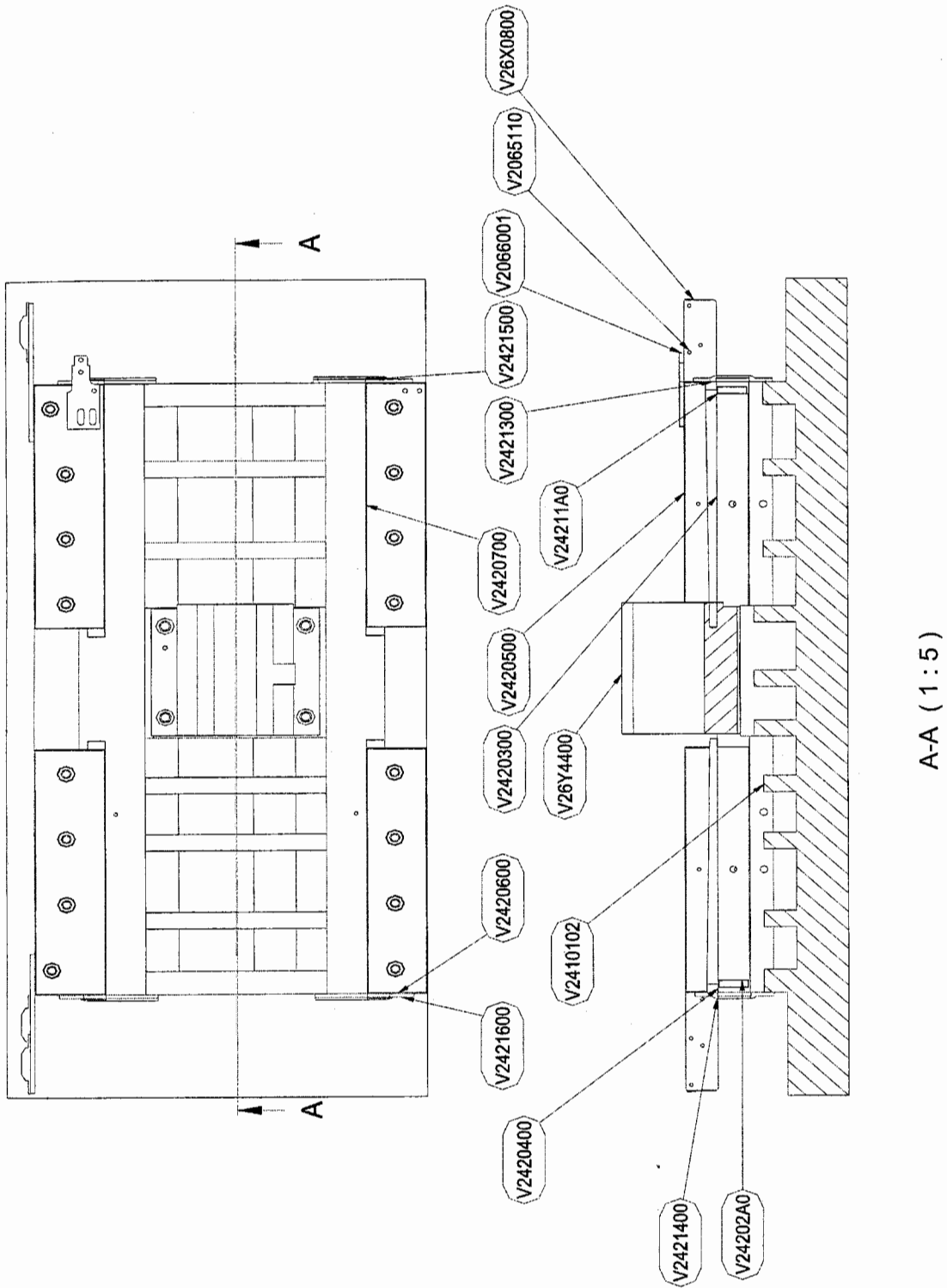
4-1 VH-850 Table Combination Part List

NO:	PART No.		PART NAME	SPECIFICATION	Q'TY
1	V2410102		TABLE	工作台	1
2	V2420400		LEFT FRONT FIXED PLATE	左前固定塊	1
3	V2420500		RIGHT FRONT FIXED PLATE	右前固定塊	1
4	V2420600		LEFT REAR FIXED PLATE	左後固定塊	1
5	V2420700		RIGHT REAR FIXED PLATE	右後固定塊	1
6	V24202A0		MIDDLE WEDGE ADJUST BLOCK	中支調整斜契	2
7	V24211A0		MIDDLE GIB FIXED BLOCK	中支斜楔固定塊	2
8	V2420300		L&R WEDGE ADJUST BLOCK	左右調整斜契	4
9	V2421300	01	TABLE WIPER(FRONT RIGHT)	工作台右前刮刷片	1
10	V2421400	01	TABLE WIPER(FRONT LEFT)	工作台左前刮刷片	1
11	V2421500	01	TABLE WIPER(REAR RIGHT)	工作台右後刮刷片	1
12	V2421600	01	TABLE WIPER(REAR LEFT)	工作台左後刮刷片	1
13	V26Y4400	02	X.Y BALLSCREW NUT HOUSING	X,Y軸螺帽座	1
14	V26X5601	01	LOCK KEY	固定位鍵	2
15	V2065110	01	X AXIS LIMIT FIXED PLATE	X軸極限固定板	2
16	V26X0800		LIMIT DOG	極限碰塊	3
17	V2066001	02	BRACKET OF X-FLEX.TUBE	X軸蛇管支架	T=5mm. 1
18					
19					
20					
21					
22					
23					
24					
25					
26					
27					
28					
28					
29					
30					
31					
32					
33					
34					

4-2 VH-850 Table Combination



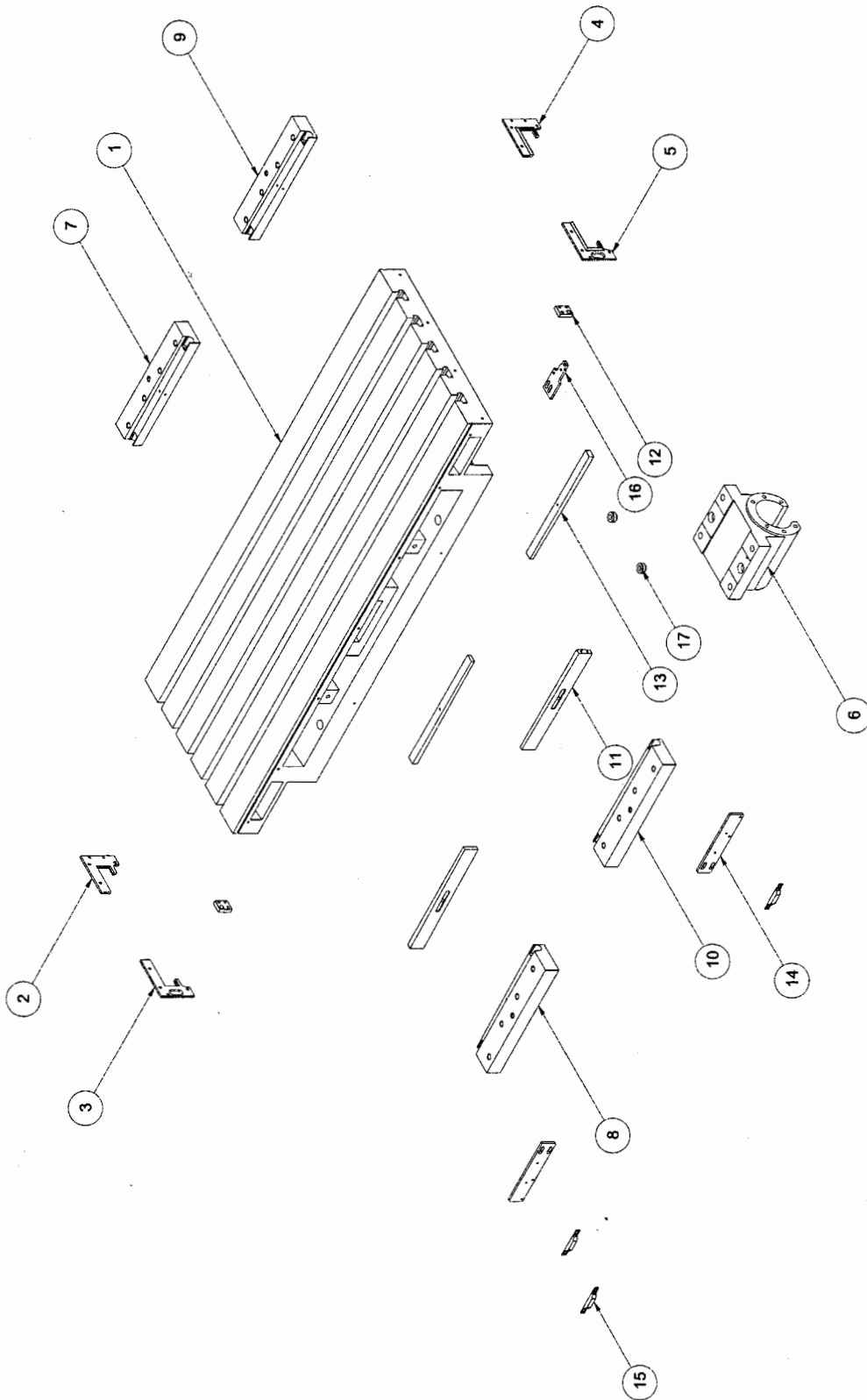
4-3 VH-850 Table Combination



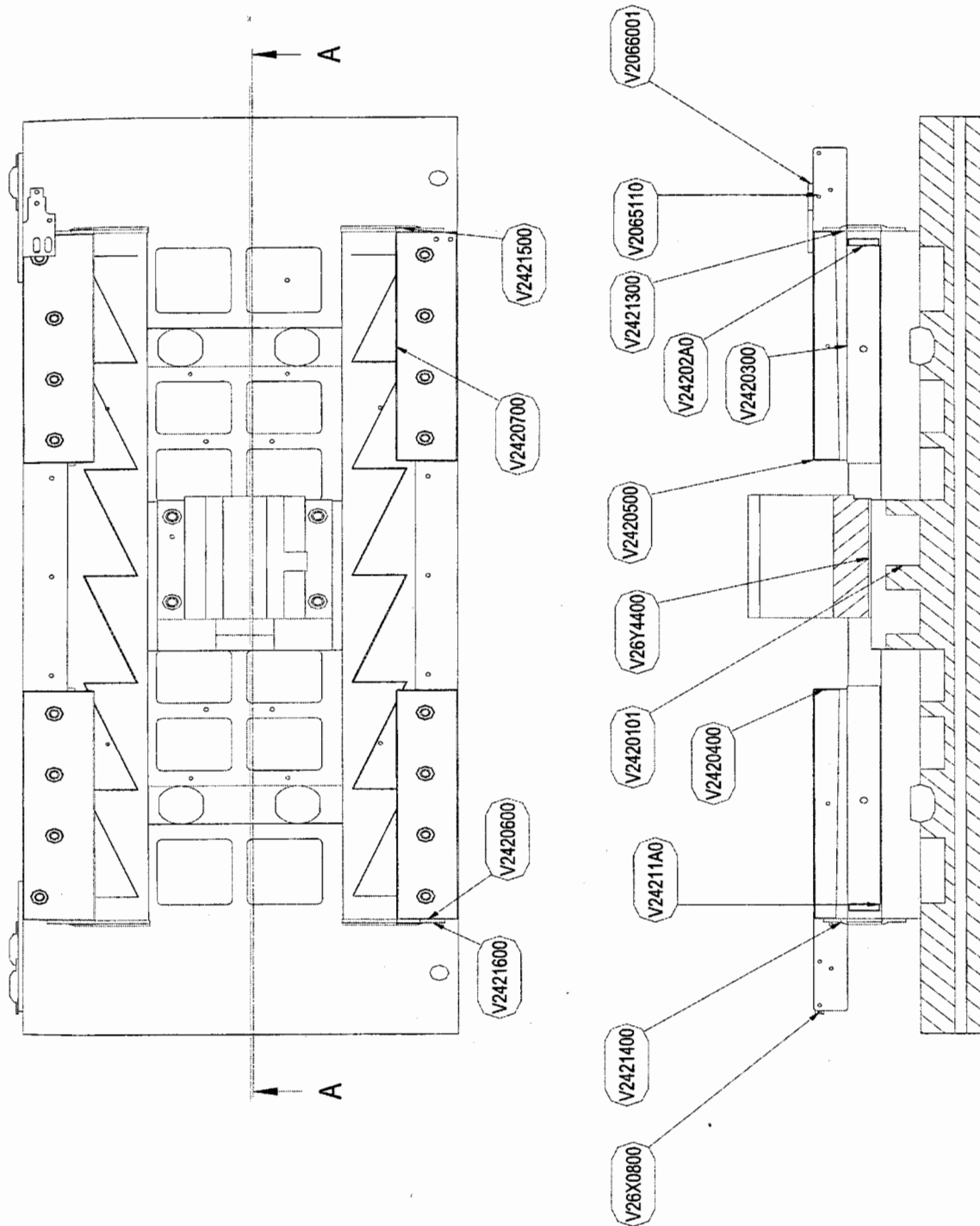
4-4 VH-1010 Table Combination

NO:	PART No.	PART NAME		SPECIFICATION	Q'TY
1	V2065110	X AXIS LIMIT FIXED PLATE	X軸極限固定板		2
2	V2066001 02	BRACKET OF X-FLEX.TUBE	X軸蛇管支架	T=5mm.	1
3	V2420101	TABLE	工作台		1
4	V24202A0	MIDDLE WEDGE ADJUST BLOCK	中支調整斜契		2
5	V2420300	L&R WEDGE ADJUST BLOCK	左右調整斜契		2
6	V2420400	LEFT FRONT FIXED PLATE	左前固定塊		1
7	V2420500	RIGHT FRONT FIXED PLATE	右前固定塊		1
8	V2420600	LEFT REAR FIXED PLATE	左後固定塊		1
9	V2420700	RIGHT REAR FIXED PLATE	右後固定塊		1
10	V24211A0	MIDDLE GIB FIXED BLOCK	中支斜楔固定塊		2
11	V2421300	TABLE WIPER(FRONT RIGHT)	工作台右前刮刷片		1
12	V2421400	TABLE WIPER(FRONT LEFT)	工作台左前刮刷片		1
13	V2421500	TABLE WIPER(REAR RIGHT)	工作台右後刮刷片		1
14	V2421600	TABLE WIPER(REAR LEFT)	工作台左後刮刷片		1
15	V26X0800	LIMIT DOG	極限碰塊		3
16	V26X5601 01	LOCK KEY	固定位鍵		2
17	V26Y4400 02	X.Y BALLSCREW NUT HOUSING	X,Y軸螺帽座		1
18					
19					
20					
21					
22					
23					
24					
25					
26					
27					
28					
29					
30					
31					
32					
33					
34					
35					

4-5 VH-1010 Table Combination



4-4 VH-1010 Table Combination

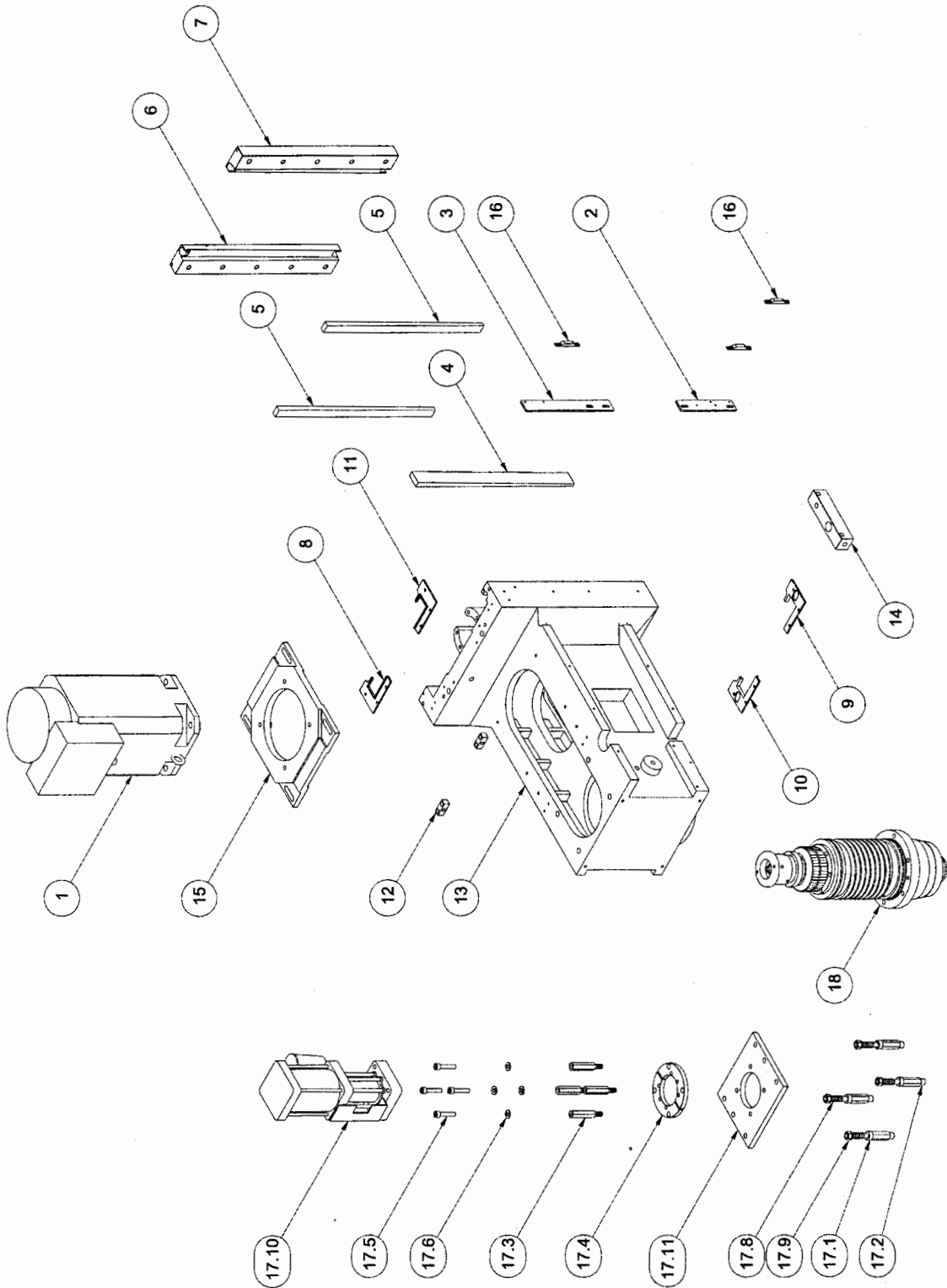


5 HEADSTOCK COMBINATION

5-1 HeadStock Combination Part List

NO:	PART No.	PART NAME		SPECIFICATION	Q'TY
1	B811SA6000	SPINDLE MOTOR	主軸馬達	FANUC A6	1
2	V2065080 02	LONG GUAED OF DOG HOUSING	碰塊座長鈹金		1
3	V2065100	LIMIT DOG PLATE OF Z AXIS	Z軸極限固定板		1
4	V2500300	MIDDLE ADHUSTABLE Gib	中支調整斜楔		1
5	V2500400	MIDDLE ADHUSTABLE Gib	中支調整斜楔		2
6	V2500500	FIXED PLATE OF EYE LEFT	機頭左固定座		1
7	V2500600	FIXED PLATE OF EYE RIGHT	機頭右固定座		1
8	V2500701	WIPER (LEFT UP)	左上刮刷片		1
9	V2500801	WIPER (RIGHT DOWN)	右下刮刷片		1
10	V2500901	WIPER (RIGHT UP)	右上刮刷片		1
11	V2501001	WIPER (LEFT DOWN)	左下刮刷片		1
12	V2550700	STOP BLOCK OF SPINDLE MOTOR SEAT	馬達板調整擋塊		2
13	V2560110	HEADSTOCK	主軸頭		1
14	V2560220 03	COOLANT DISTRIBUTOR	切削液分流塊		1
15	V25661A2 02	SPINDLE MOTOR ADJUSTABLE PLATE	主軸馬達調整板		1
16	V26X0800	LIMIT DOG	極限碰塊		3
17	FLUCTUATE PULL COMBINATION				1
17.1	V2564400	NOISE REDUCTION BLOCK	消音塊		4
17.2	V2564500	SET COLUMN OF BOOSTER	氣壓缸固定板支柱		4
17.3	V2564701	SET COLUMN BOLT OF BOOSTER	鬆刀缸支柱螺栓		4
17.4	V2564610	PULL RING	退刀提動環		2
17.5	B01100500	HEXAGON SOCKET HEAD SET SCREW	有頭內六角螺栓	M10xP1.5x50L	4
17.6	B15102120	COLLAR	墊圈	M10x21x2t	4
17.7	B15122130	COLLAR	墊圈	M12x21x2.5t	4
17.8	B41123520	COMPRESSION SPRING	壓縮彈簧	內徑12;線徑2.3;長	4
17.9	B18121800	HEX NUT	六角螺帽	M12xP1.75	4
17.10	B25G40130	BOOSTER	增壓缸	規格:G-4000	1
17.11	VKA-520600 01	FIXED BOARD OF BOOSTER	鬆刀缸固定板		1
18	CVH012104	VH SPINDLE	VH主軸		1
19					
20					
21					
22					
23					
24					
25					
26					
27					
28					

5-2 VH-850,1010HeadStock Combination



5-3 VH-850,1010HeadStock Combination

